

TAVOLA / DRAWING 1261
MOD. 8CPG90
COD. 3191600

CUOCIPASTA GAS
2 VASCHE S.980S

GAS PASTA COOKER
2 BASINS S.980S

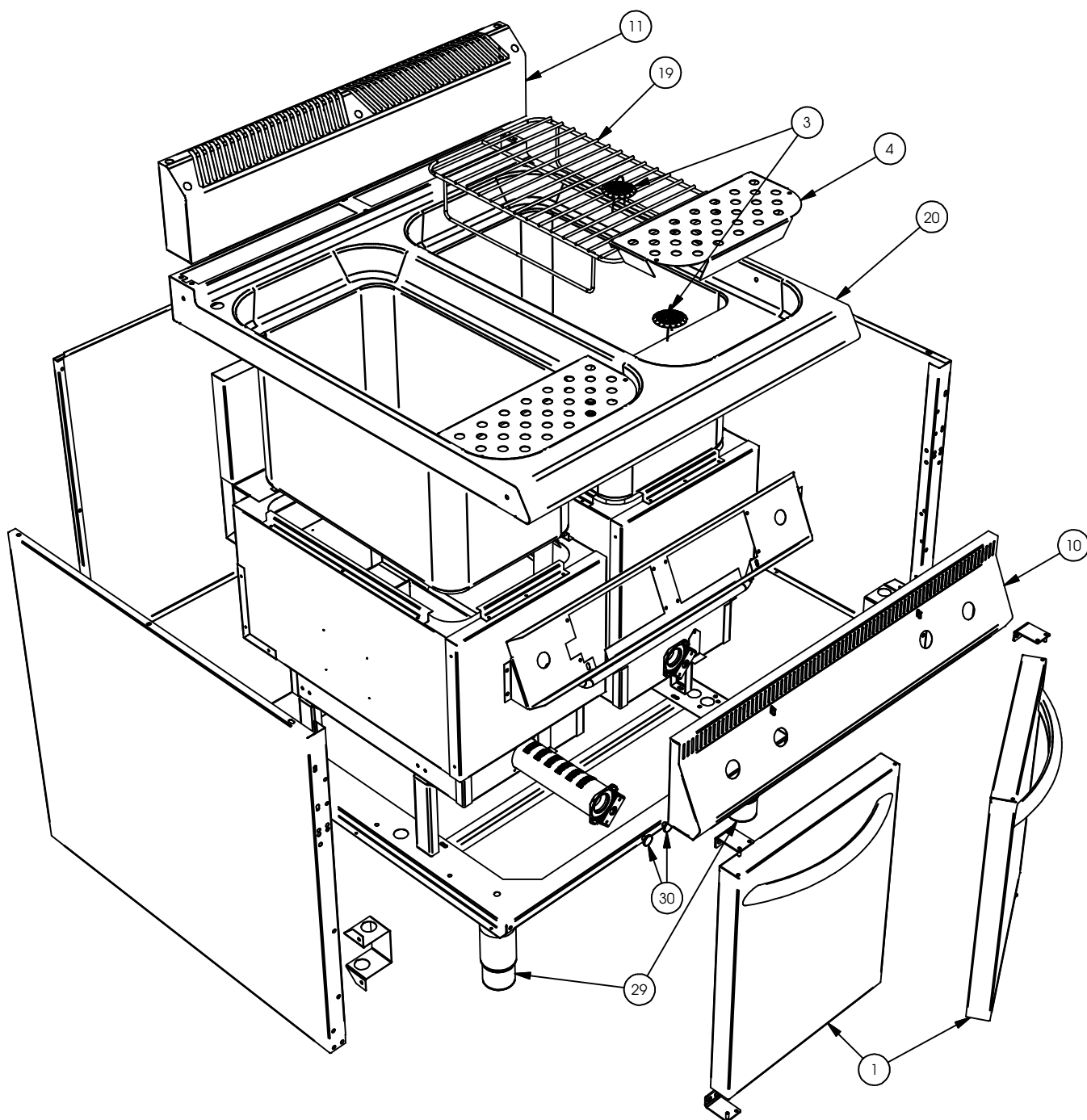
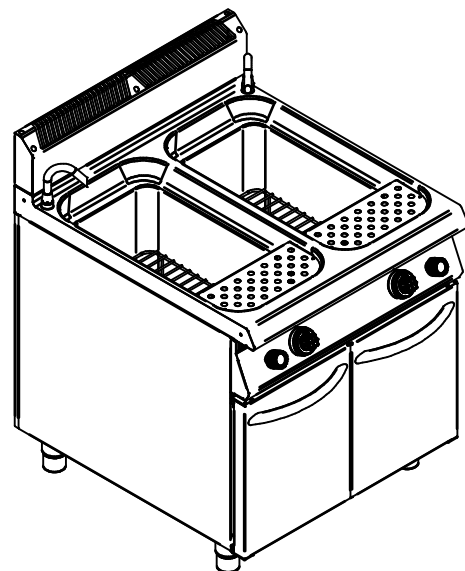


TAVOLA / DRAWING 1261
GRUPPO ACQUA
WATER GROUP
MOD. 8CPG90

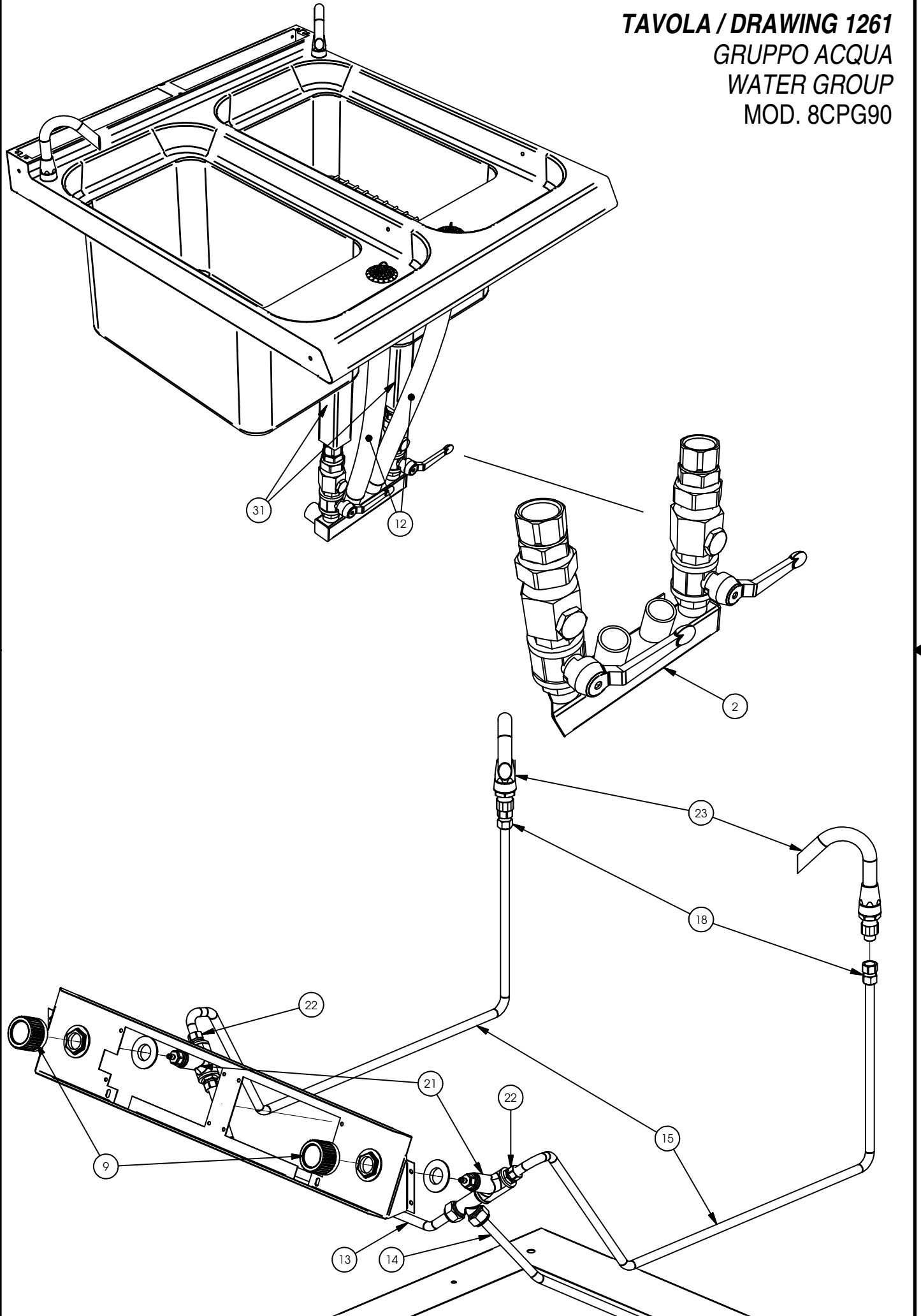
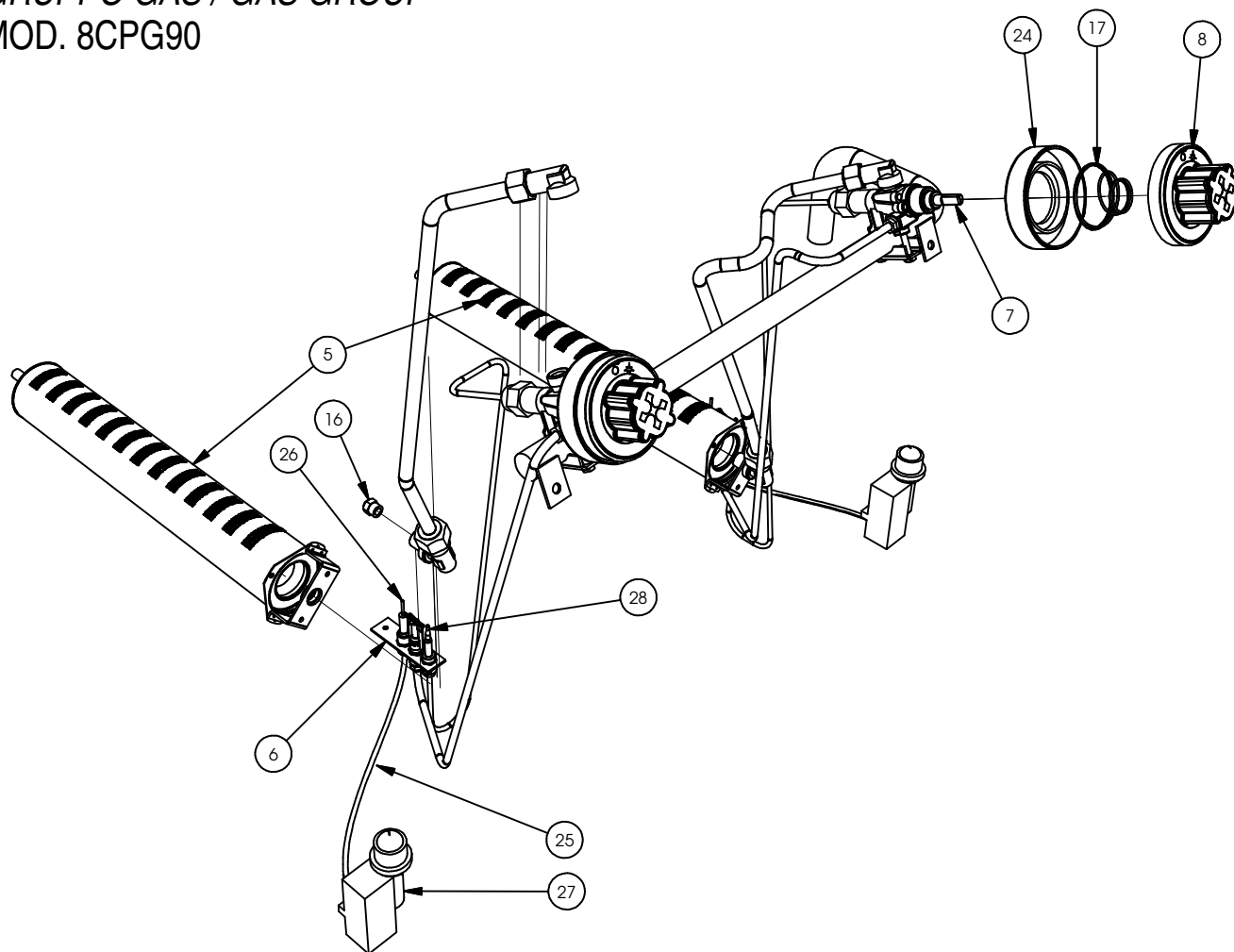


TAVOLA / DRAWING 1261
GRUPPO GAS / GAS GROUP
MOD. 8CPG90



1	353186	PORTA 1/2 MODULO DX	FRONT RIGHT DOOR
1	353194	PORTA 1/2 MODULO SX	FRONT LEFT DOOR
2	4000361	GRUPPO SCARICO ACQUA CPG 2 VASCHE	OUTLET WATER GROUP
3	4005101	GRIGLIETTA TROPPO PIENO COPML.CUOC	DRAIN COVER
4	4005115	GRIGLIETTA FORATA CUOC.PIEGATA S900	TOP DRAINER GRILL
5	841091	BRUCIATORE CUOC.S.90 104.0687.00	BURNER PASTA COOKER S.90
6	863979	BRUCIATORE PILOTA 440.0221.00	PILOT BURNER
7	401121	RUBIN.GAS COLL.COMP.RACC.21S S7/9S	GAS TAP 21/S WITH FITTINGS
8	401405	MANOPOLA COMPLETA RUB.GAS 21S S.7/9	KNOB FOR GAS TAP 21S
9	401683	MANOPOLA ZIGR.D.48 ASS.CAR.H2O CUOC	WATER INLET KNOB
10	4105967	CRUSCOTTO COM. CUOC. GAS 800 S.700S	FRONT PANEL
11	4302276	SCARICO FUMO ASS. ASOLE 800 STILE	EXHAUST GRATE
12	4597001	TUBO SCARICO CUOCIPASTA D.40X650	DRAIN HOSE
13	816961	TUBO PIEGH.316L DN10X700 7786-0700	WATER TUBE DN10X700
14	816971	TUBO PIEGH.316L DN10X1000 7786-1000	WATER TUBE DN10X1000
15	816987	TUBO PIEGH.316L DN10X1800 7786-1800	SPOUT TUBE
16	829200	UGELLO OTT.CHI11X13 M10X1" GENERICO"	SHORT BURNER INJECTOR
17	829671	MOLLA CONICA INOX A COMPR.D.1.20	CONICAL SPRING FOR KNOB
18	829807	RACCORDO DIR.DA 3/8" DIAM.10 MONOC.	SPOUT CONNECTION 3/8" - D10
19	831681	FALSOFO.N.IN TONDINO 48X29X9 GN1/1	STAINLESS STEEL GRID
20	833340	ASS.PIANO/V.CUOC.2V GAS S.8S KITC05	TOP BIN
21	833471	RUBINETTO INCASSO DIRITTO 1/2	WATER INLET COCK
22	833477	NIPPLES 1/2XD10 FRIZ.RAME/OTTONE	WATER INLET COCK CONNECTION
23	833538	CANNA D.20 ORIENTABILE 800 08/833	SPOUT
24	835571	GHIERA PLAST.ROSSA X MANOP.GAS.17H	PLASTIC COVER FOR KNOB
25	835893	CAVO X ACCENS.A PILA 500MM 0028651	IGNITION CABLE
26	835915	CANDELA PIEZO DRI.(FRY-TOP) 0915015	PIEZO SPARK PLUG
27	835925	ACCENSIONE A PILA 72606505000	SWITCHING TO BATTERY
28	837265	TERMOCOPPIA INTER.TTA CM.60 0270422	THERMOCOUPLE CM60
29	844380	PIEDE 2"INOX 145-200 EP1XBMBONNSV	2" STAINLESS STEEL FOOT
30	844706	MAGNETE X PORTE D.22X3 GAMBO M6X15	DOOR MAGNET
31	844781	PROTEZIONE SCAR. VASCA CP 50X50X170	PROTECTION PIPE EXHAUST