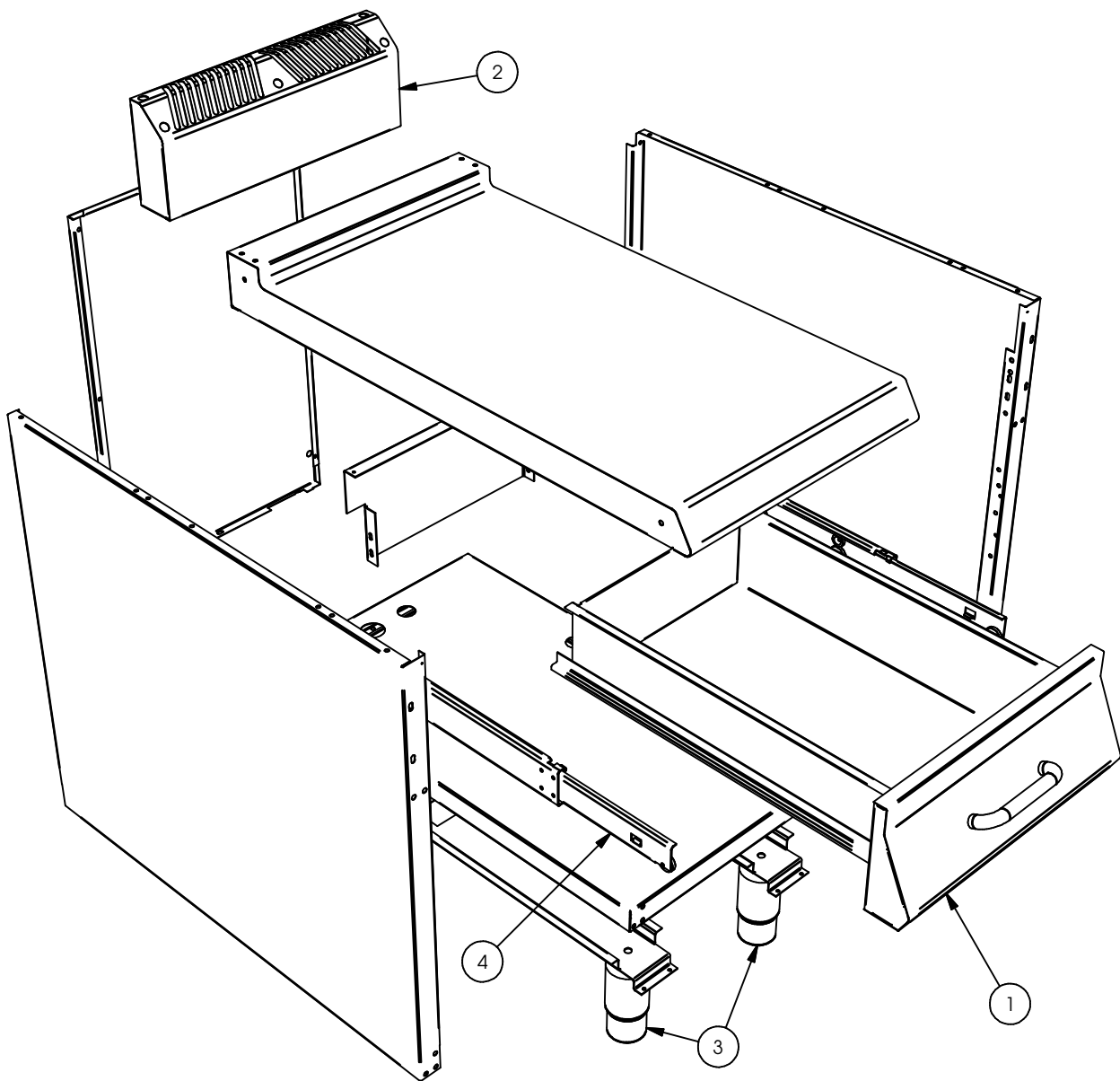
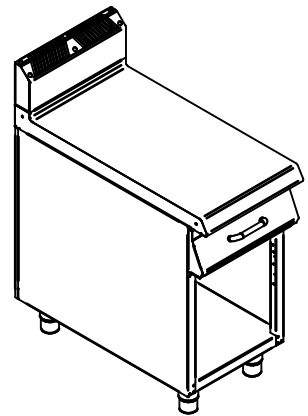


# TAVOLA / DRAWING 2460

**COD. 329314**

**MOD. 9EN/40C**

ELEMENTO NEUTRO CON CASSETTO S.990S  
WORK TOP UNIT WITH DRAWER S.990S



1	4127053	CASSETTO ASSEM EL. NEUTRO 45 S.990S	FRONT DRAWER 45 S.990S
2	4302285	SCARICO FUMO ASS. ASOLE 450 STILE	EXHAUST GRATE
3	844380	PIEDE 2"INOX 145-200 EP1XBXMBONNSV	2" STAINLESS STEEL FOOT
4	844611	GUIDE TELESC.FE/ZN X CASS. GT O11260	SLIDE GUIDES FOR DRAWER