

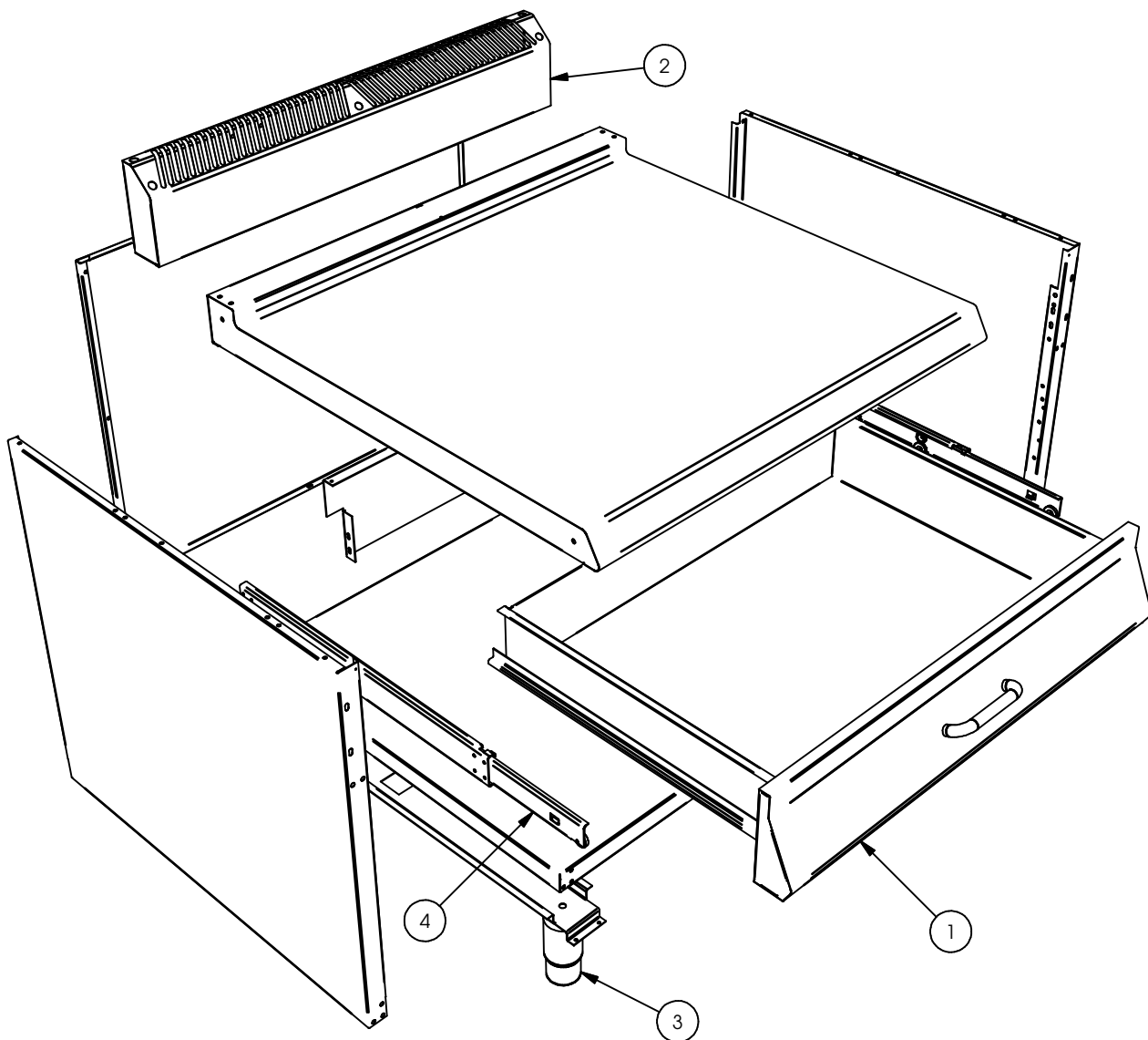
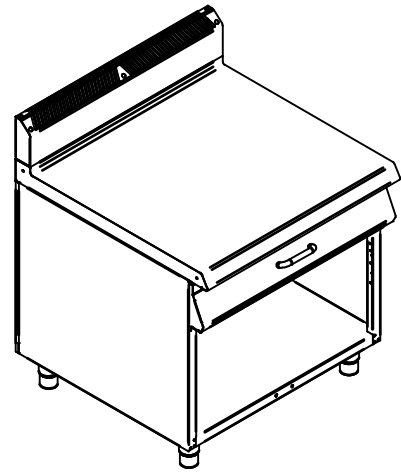
TAVOLA / DRAWING 2462

COD. 329324

MOD. 9EN/80C

ELEMENTO NEUTRO S.980S

WORK TOP UNIT S.980S



1	4127054	CASSETTO ASSEM EL. NEUTRO 90 S.990S	FRONT DRAWER 90 S.990S
2	4302273	SCARICO FUMO ASS. ASOLE 900 STILE	EXHAUST GRATE
3	844380	PIEDE 2"INOX 145-200 EP1XBXMBONNSV	2" STAINLESS STEEL FOOT
4	844611	GUIDE TELESC.FE/ZN X CASS. GT O11260	SLIDE GUIDES FOR DRAWER