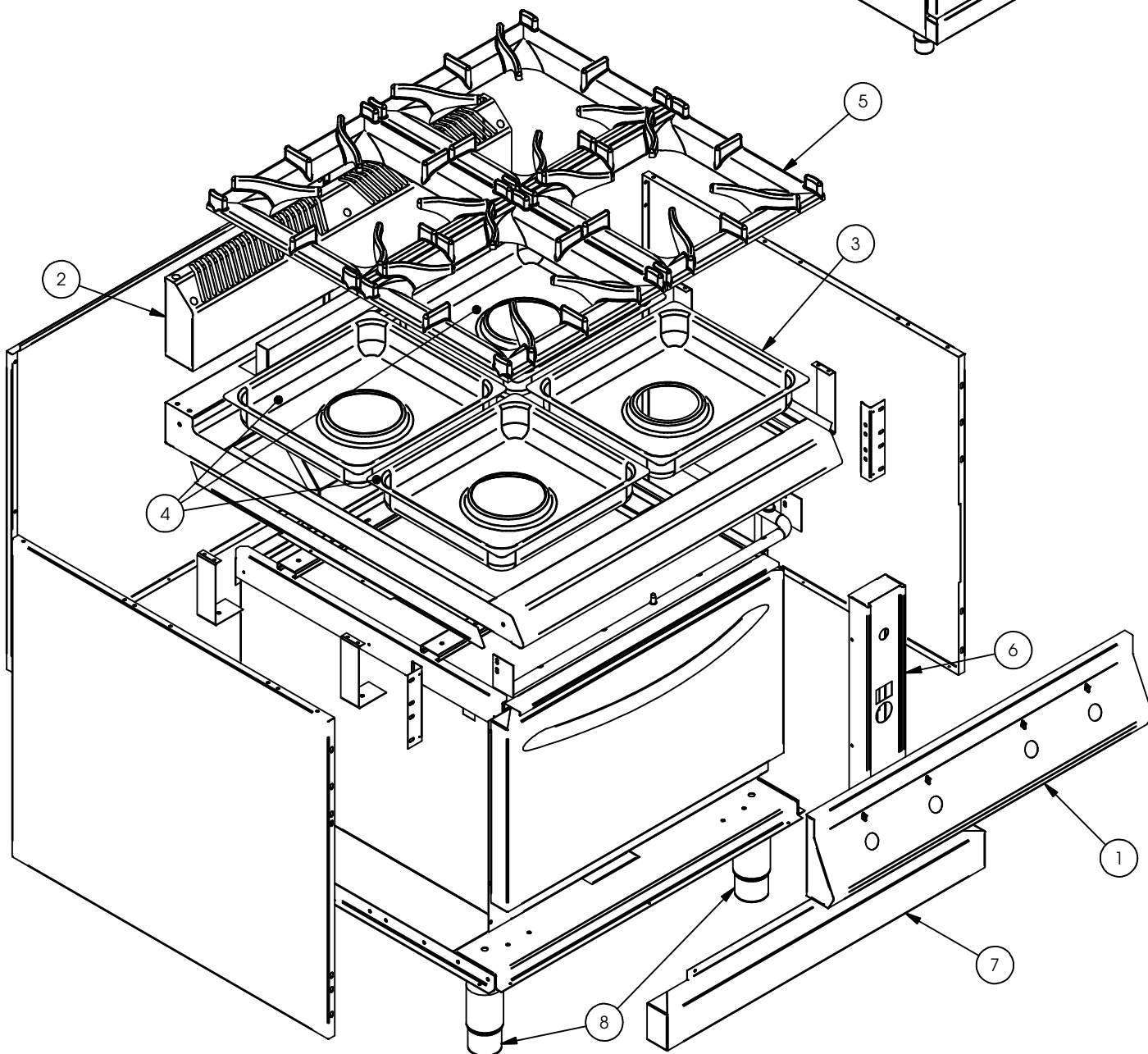
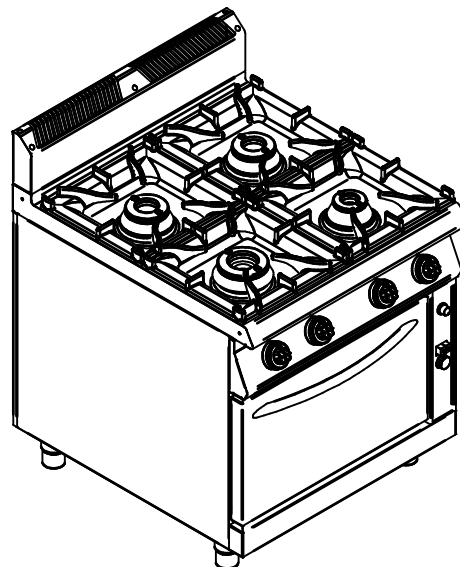


TAVOLA / DRAWING 1166
COD. 3012900 MOD. 8CBG14
ALLEGATI / ATTACHMENT :
1105, 1114, 1119

CUCINA GAS 4 FUOCHI SU FORNO A GAS
4 BURNERS GAS RANGE WITH GAS OVEN



1	4105972	CRUSCOTTO COM.ASS.CUC.GAS 4F S.700S	FRONT PANEL
2	4302276	SCARICO FUMO ASS. ASOLE 800 STILE	800 S.7/9S CHIMNEY
3	440081	BACINELLA SOTTOC.1 F.DIAM.110 S.90	UNDER BURNER BASIN D110 - S.90
4	440083	BACINELLA SOTTOC.1 F.DIAM.130 S.90	UNDER BURNER BASIN D130 - S.90
5	440107	GRIGLIA VET.1F S.90 396X378 GVS-900	VETRIFIED CAST IRON
6	4502202	FIANCHETTO DX GAS 95 ASSIEM. S.7/9S	SIDE PANEL
7	4832301	CRUSCOTTINO SOTTOF.FORNO 800 STILE	LOW PANEL
8	844380	PIEDE 2"INOX 145-200 EP1XBMBONNSV	2" STAINLESS STEEL FOOT

TAVOLA / DRAWING 1120

GRUPPO GAS S.980S

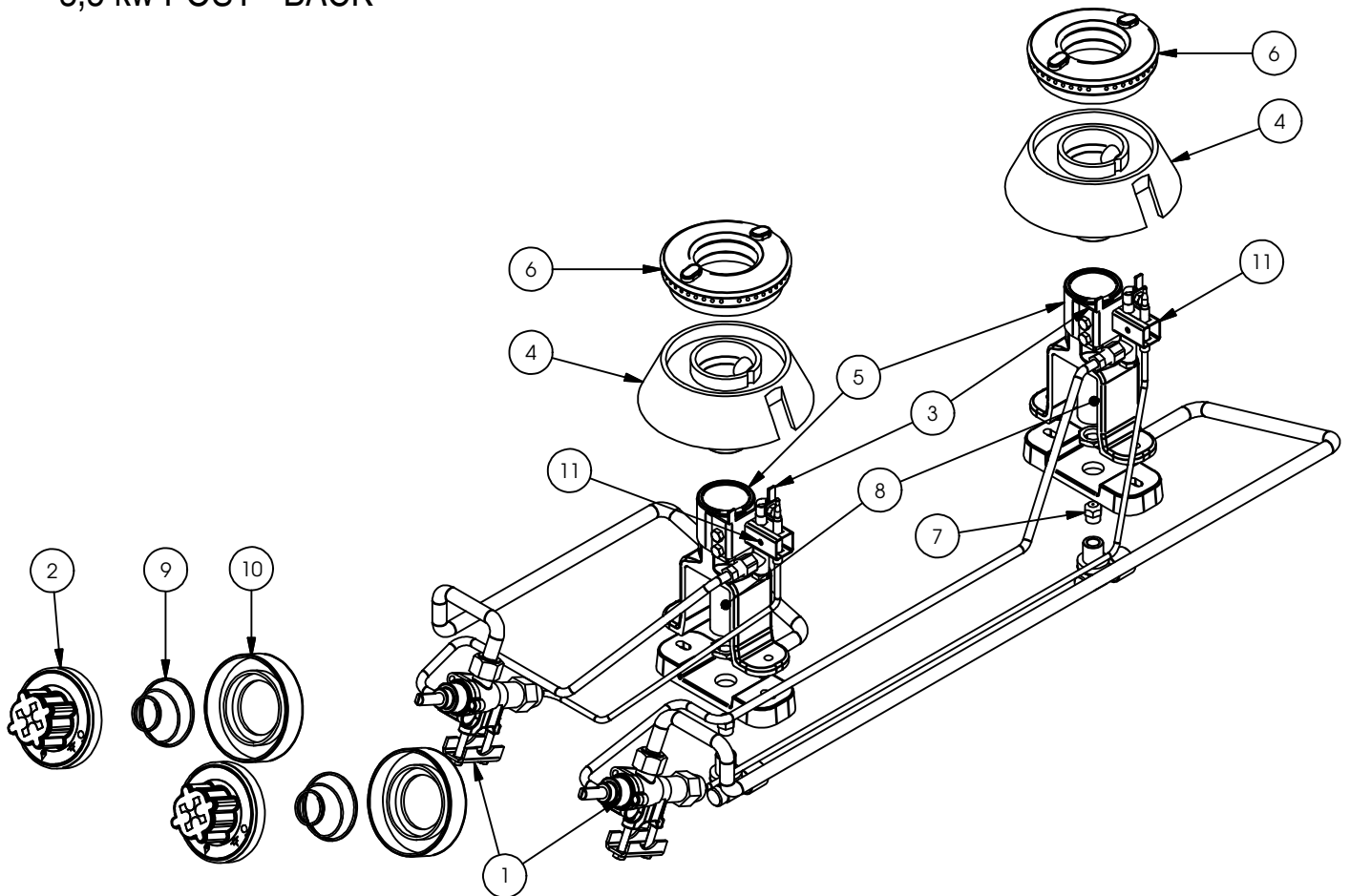
GAS GROUP S.980S

COD. 4000309

POTENZA - POWER:

3,5 kw ANT. - FRONT

3,5 kw POST - BACK



1	401121	RUBIN.GAS COLL.COMP.RACC.21S S7/9S	GAS TAP 21/S WITH FITTINGS
2	401405	MANOPOLA COMPLETA RUB.GAS 21S S.7/9	KNOB FOR GAS TAP 21S
3	4550501	STAFFETTA PILOTA BRUC. D.C. PICCOLO	BRACKET SUPPORT PILOT BURNER C90
4	827345	CORPO BRUC.RE VETRI.DOP.C.90 KW3,5	BURNER BODY IN CAST-IRON C90
5	827665	SUPPORTO ALLUMINIO 3 INSERTI H.122	ALUMINIUM SUPPORT BURNER H. 122
6	828125	SPARTIFIAMMA OT.DOPPIA C.90 KW 3,5	BURNER CAP IN BRASS DOUBLE CROWN C90
7	829200	UGELLO OTT.CH11X13 M10X1" GENERICO"	SHORT BURNER INJECTOR
8	829593	BUSSOLA INOX REGOLAZ.ARIA DA 22X80	PIPE FOR AIR REGULATION 22X80
9	829671	MOLLA CONICA INOX A COMPR.D.1,20	CONICAL SPRING FOR KNOB
10	835571	GHIERA PLAST.ROSSA X MANOP.GAS.17H	PLASTIC COVER FOR KNOB
11	837201	PILOTA 1 VIA MULTIGAS 0100013	PILOT BURNER 1 WAY
12	837233	TERMOCOPPIA QUICK DA 320 0290012	THERMOCOUPLE CM 32
13	837243	TERMOCOPPIA QUICK DA 600 0290016	THERMOCOUPLE CM 60

TAVOLA / DRAWING 1114

GRUPPO GAS S.980S

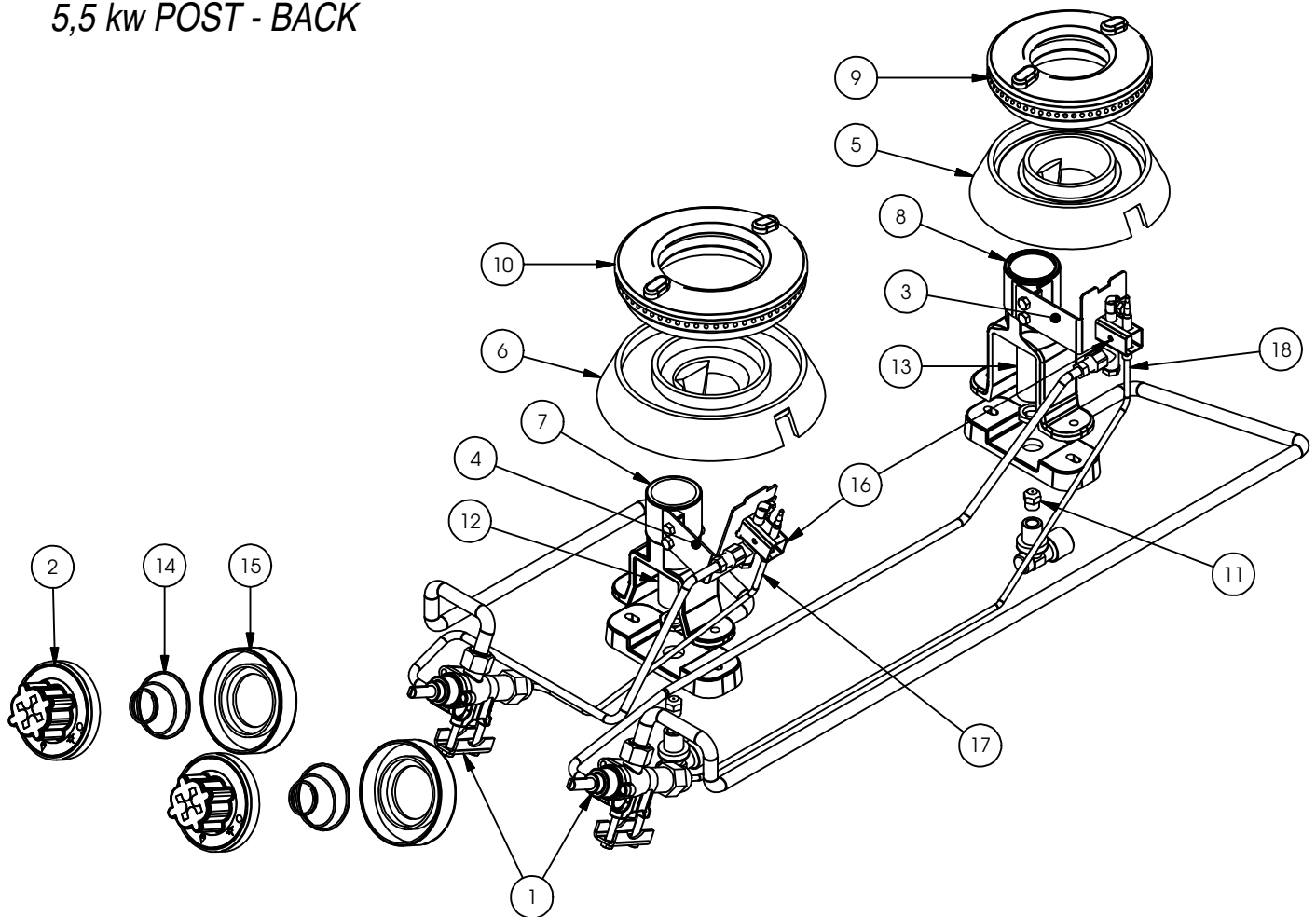
GAS GROUP S.980S

COD. 4000305

POTENZA - POWER:

8,5 kw ANT. - FRONT

5,5 kw POST - BACK

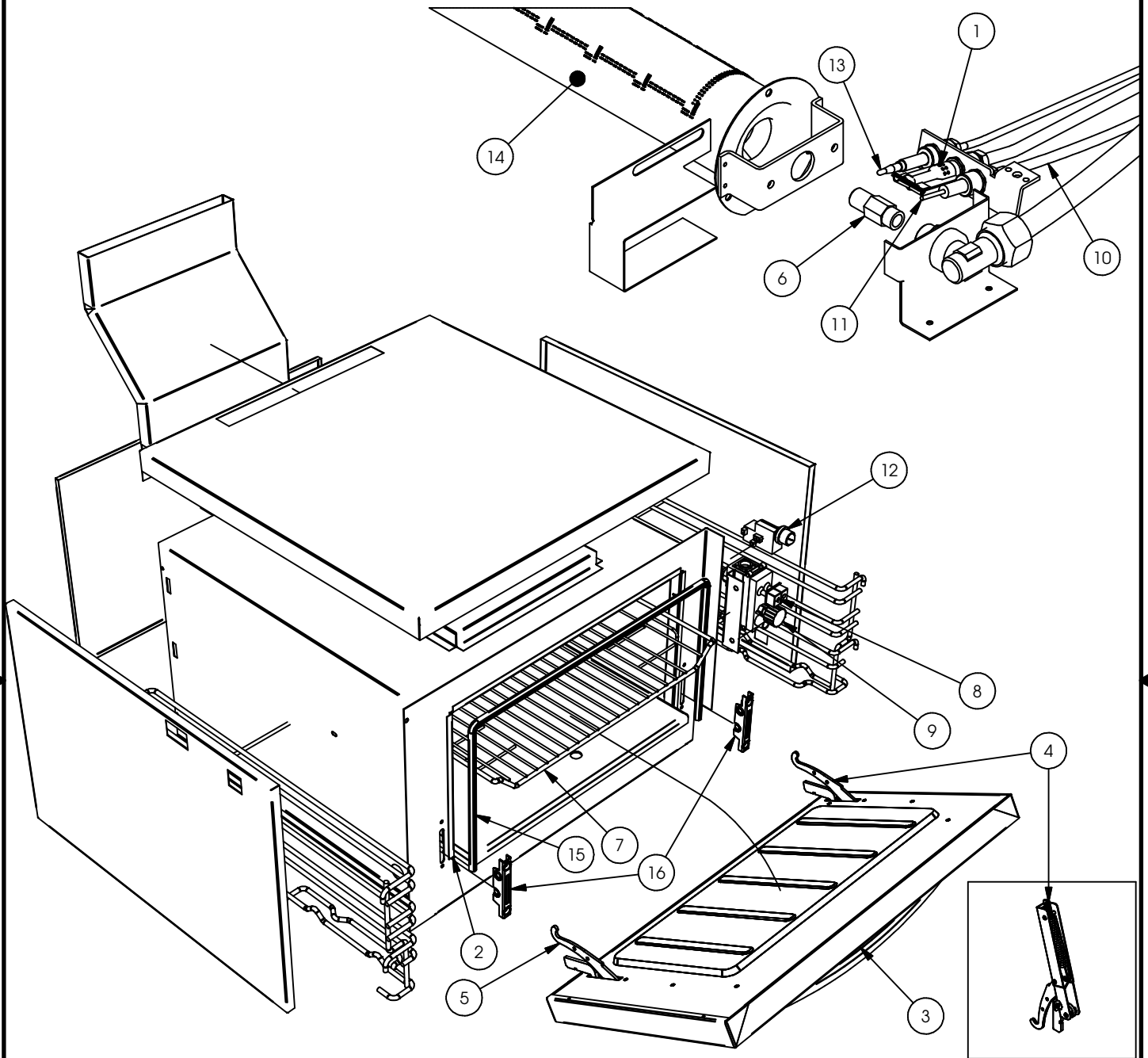


1	401121	RUBIN.GAS COLL.COMP.RACC.21S S7/9S	GAS TAP 21/S WITH FITTINGS
2	401405	MANOPOLA COMPLETA RUB.GAS 21S S.7/9	KNOB FOR GAS TAP 21S
3	4550505	STAFFETTA PILOTA BRUC. D.C. MEDIO	BRACKET SUPPORT PILOT BURNER C115
4	4550511	STAFFETTA PILOTA BRUC. D.C. GRANDE	BRACKET SUPPORT PILOT BURNER C135
5	827351	CORPO BRUC.RE VETRI.DOP.C.115 KW5,5	BURNER BODY IN CAST-IRON C115
6	827357/1	CORPO BRUC.RE VETRI.DOP.C.135 KW8,5	BURNER BODY IN CAST-IRON C135
7	827661	SUPPORTO ALLUMINIO 3 INSERTI H.102	ALUMINIUM SUPPORT BURNER H. 102
8	827665	SUPPORTO ALLUMINIO 3 INSERTI H.122	ALUMINIUM SUPPORT BURNER H. 122
9	828131	SPARTIFIAMMA OT.DOPPIA C.115 KW 5,5	BURNER CAP IN BRASS DOUBLE CROWN C115
10	828137/1	SPARTIFIAMMA OT.DOPPIA C.135 KW 8,5	BURNER CAP IN BRASS DOUBLE CROWN C135
11	829200	UGELLO OTT.CH11X13 M10X1" GENERICO"	SHORT BURNER INJECTOR
12	829589	BUSSOLA INOX REGOLAZ.ARIA DA 22X56	PIPE FOR AIR REGULATION 22X56
13	829593	BUSSOLA INOX REGOLAZ.ARIA DA 22X80	PIPE FOR AIR REGULATION 22X80
14	829671	MOLLA CONICA INOX A COMPR.D.1,20	CONICAL SPRING FOR KNOB
15	835571	GHIERA PLAST.ROSSA X MANOP.GAS.17H	PLASTIC COVER FOR KNOB
16	837201	PILOTA 1 VIA MULTIGAS 0100013	PILOT BURNER 1 WAY
17	837233	TERMOCOPPIA QUICK DA 320 0290012	THERMOCOUPLE CM 32
18	837243	TERMOCOPPIA QUICK DA 600 0290016	THERMOCOUPLE CM 60

TAVOLA / DRAWING 1105

COD. 4000208

FORNO A GAS / GAS OVEN S.980S



1	403101	BRUCIAT.PIL.3 VIE COMP.RACC.CUCINE	PILOT BURNER 3 WAYS
2	4614005	CORNICE FIS.GUARN.PORTA FORNO S.7/9	OVEN DOOR FRAME
3	4900605	PORTA ASSIEMATA FORNO GN2/1 STILE	FRONT DOOR
4	844581	CERNIERA X PORTA FORNO DX 45010951	HINGE FOR OVEN DOOR- RIGHT
5	844583	CERNIERA X PORTA FORNO SX 45010952	HINGE FOR OVEN DOOR- LEFT
6	829350	UGELLO OTT.CH12X30 M10X1 "GENERICO"	LONG BURNER INJECTOR
7	831607	GRIGLIA FORNO CRO."N" 530X650 S.900	STAINLESS STEEL GRID
8	405701	VALVOLA 100-340° "MINISIT" COMPLETA	THERMOSTATIC VALVE WITH FITTINGS
8	835701	VALVOLA 100-340° "MINISIT" 0710654	THERMOSTATIC VALVE
9	835721	MANOPOLA X VALVOLA "MINISIT"0916124	KNOB FOR MINISIT VALVE
10	835895	CAVO X ACCENS.A PILA 1050MM 0028002	IGNITION CABLE
11	835915	CANDELA PIEZO DRI.(FRY-TOP) 0915015	PIEZO SPARK PLUG
12	835925	ACCENSIONE A PILA 72606505000	SWITCHING TO BATTERY
13	837253	TERMOCOPPIA CM. 100	THERMOCOUPLE CM 100
14	841211	BRUCIATORE FORNO D.51X530 KW7,7 S.9	BURNER FOR OVEN S.900
15	844441	GUARN.PORTA FORNO 2/1 MT.SV52 STILE	SEAL FOR OVEN DOOR
16	844589	PORTARULLINO CERN.FORNO 45508410	OVEN DOOR'S HINGE BLOCK