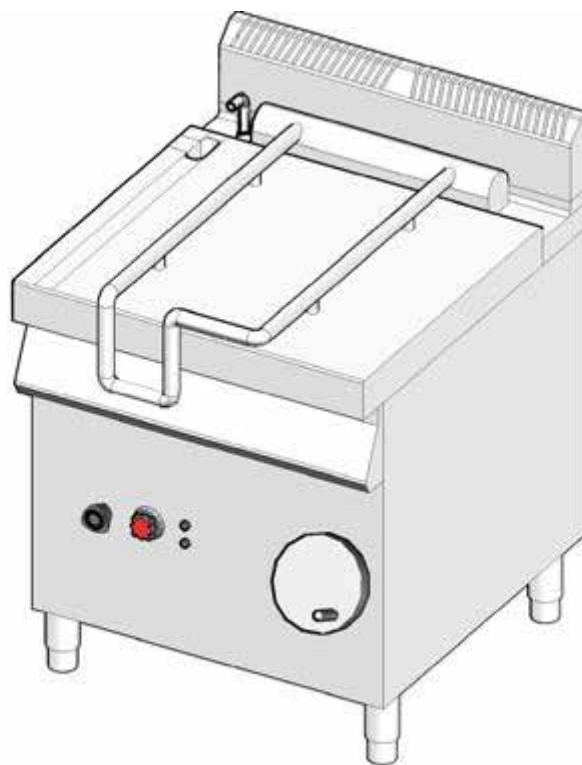
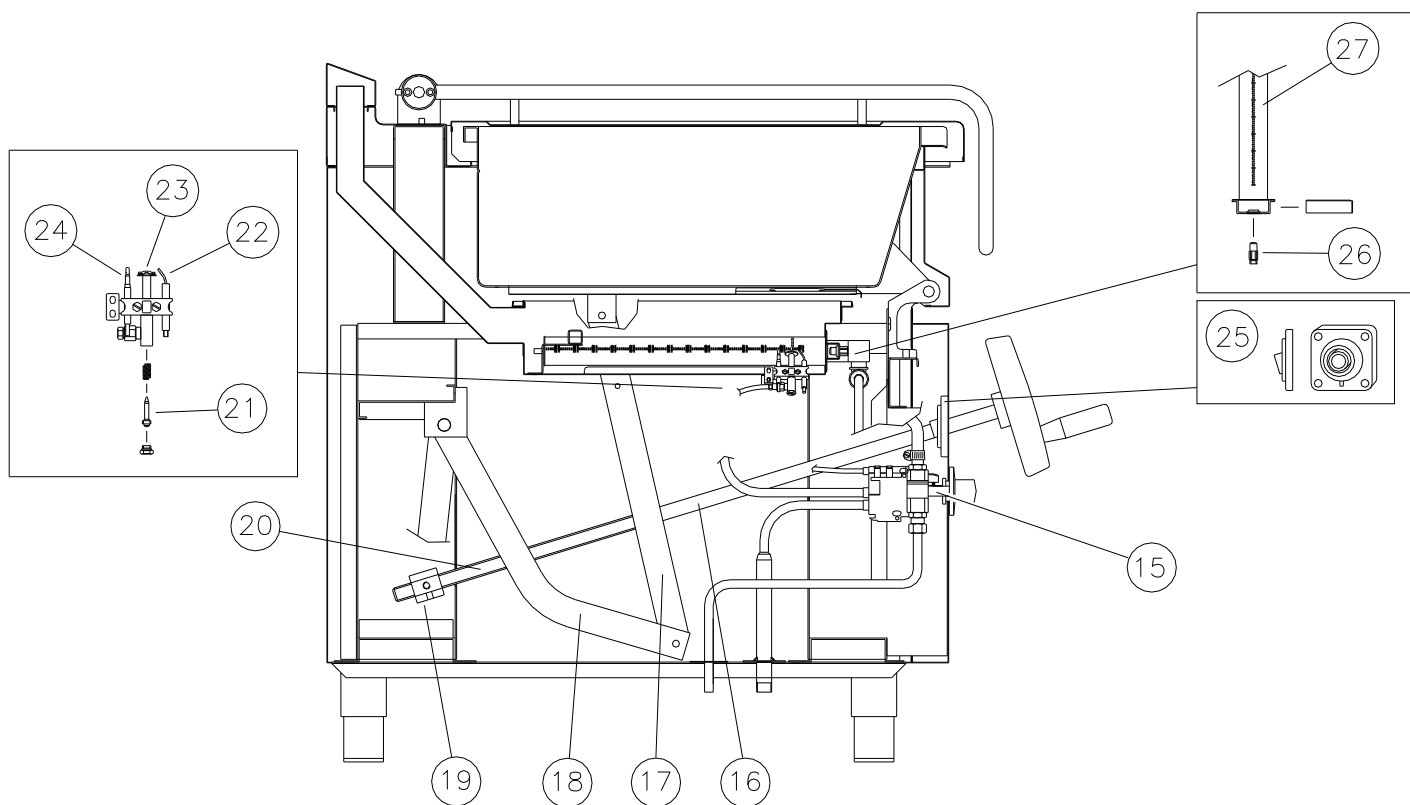
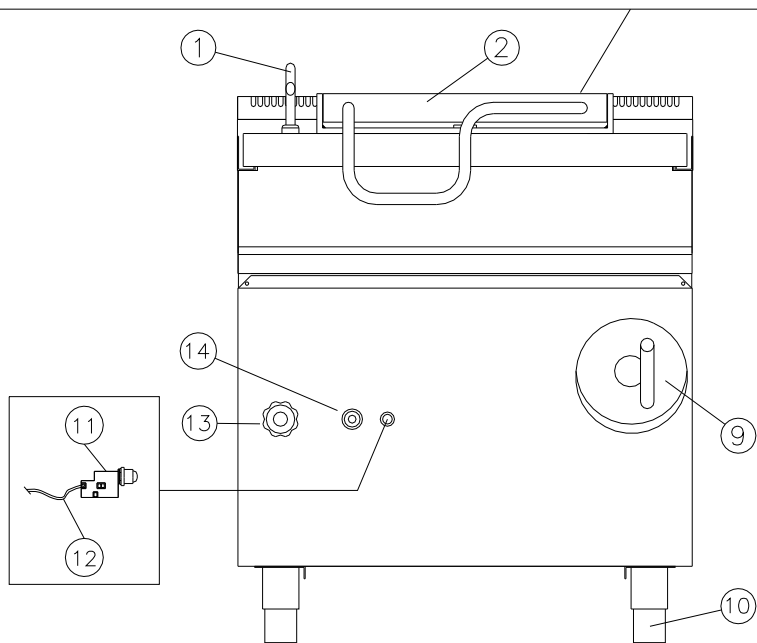
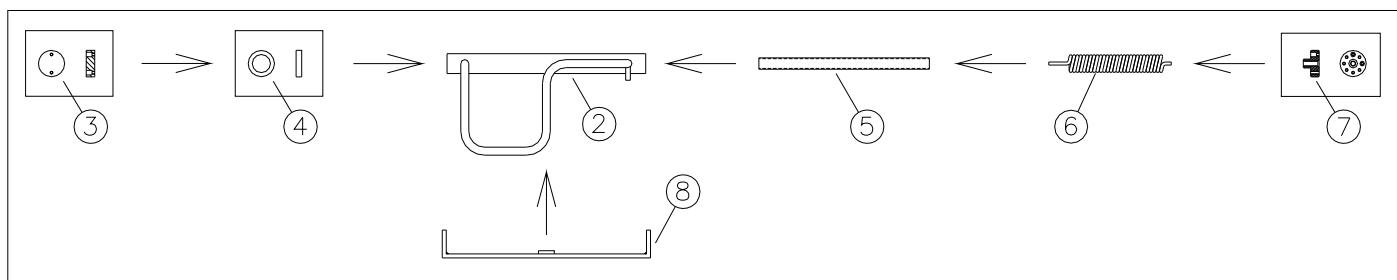


**ESPLOSO BRASIERA GAS RIBALTABILE**  
**EXPLODED DRAWING GAS TILTING BRATT PAN**

Mod. **8BRG80 / BRG990**



# Mod. 8BRG80 / BRG990



<b>Pos.</b>	<b>Cod.</b>	<b>Descrizione I</b>	<b>Description F</b>
1	<b>FX-SMB0574-00</b>	Tube carico acqua	Water inlet pipe
2	<b>FX-SMB0608-00</b>	Maniglia	Handle
3	<b>FX-SMB0612-00</b>	Testa sx cerniera cromata	HINGE HEAD LF CHROM.PLATED
4	<b>FX-SMB0618-00</b>	Anello di rasamento x cerniera	SHAVE RING FOR BRAISING PAN HINGE
5	<b>FX-SMB0614-00</b>	Tube perno x molla cerniera	PIN PIPE SPRING HINGE
6	<b>FX-SMB0616-00</b>	Molla x cerniera	Hinge Spring
7	<b>FX-SMB0610-00</b>	Testa dx cerniera cromata	HINGE HEAD RGHT CHROM.PLATED
8	<b>FX-SMB0606-00</b>	Supporto cerniera	Hinge support
9	<b>FX-SMB0636-00</b>	Volantino completo	Handwheel
10	<b>844380</b>	Ass. piedino da 2" H=165	Foot 2"
11	<b>835925</b>	Accensione a pila 72606505000	Switching to battery
12	<b>835893</b>	Cavo per accensione a pila 500 mm	Ignition cable
13	<b>FX-30200008</b>	Rubinetto carico acqua	Robinet d'alimentation
14	<b>FX-30100080</b>	Valvola gas	Soupape gaz
15	<b>FX-30200008</b>	Rubinetto carico acqua	Robinet d'alimentation
16	<b>FX-SMB0630-00</b>	Prolunga per vite	Water inlet tap
17	<b>FX-SMB0624-00</b>	Leva sup. sollevamento vasca	Lever for Tilting of pan
18	<b>FX-SMB0620-00</b>	Ass. gruppo sollevam. vasca	Tilting of pan
19	<b>FX-SC0022-00</b>	Madrevite	Female screw
20	<b>FX-SMB0129-00</b>	Vite x gruppo sollevamento vasca	Screw for tilting of pan
21	<b>FX-30500003</b> <b>FX-30500004</b>	Ø 40 x G20 Ø 25 x G30	Ø 40 x G20 Ø 25 x G30
22	<b>835911</b>	Candela	Bougie
23	<b>837221</b>	Pilota	Pilote
24	<b>837253</b>	Termocoppia	Thermocouple
25	<b>FX-20400012</b>	Supporto ghisa con cuscinetto	Bearing
26		Ugello	Injector
	<b>FX-30500060</b>	G20 20 mbar Ø270	G20 20 mbar Ø270
	<b>FX-30500074</b>	G25 25 mbar Ø305	G25 25 mbar Ø305
	<b>FX-30500074</b>	G25 20 mbar Ø305	G25 20 mbar Ø305
	<b>FX-30500020</b>	G30 30 mbar Ø120	G30 30 mbar Ø120
	<b>FX-30500072</b>	G30 50 mbar Ø105	G30 50 mbar Ø105
27	<b>FX-30400050</b>	Brucciato	Burner