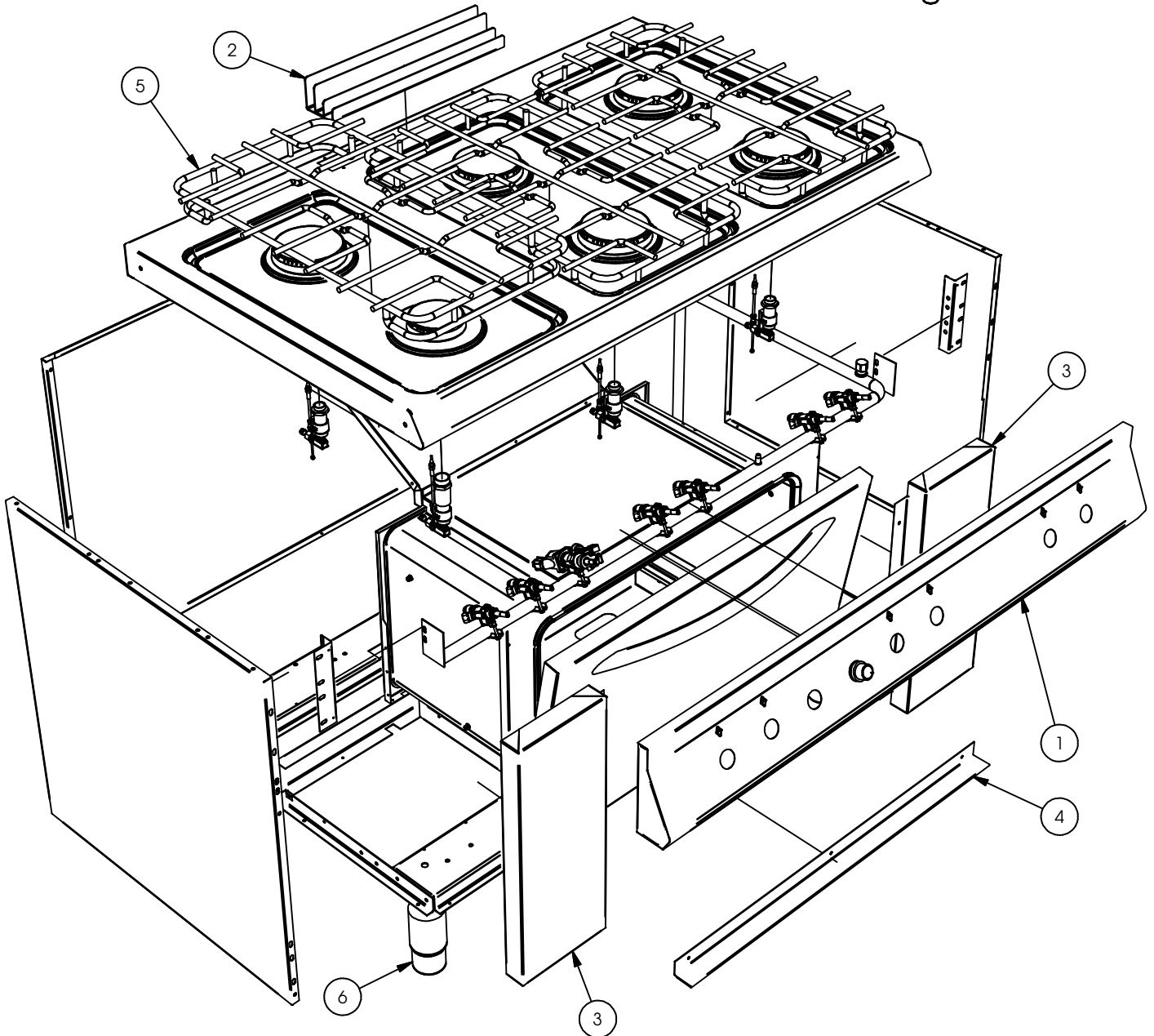
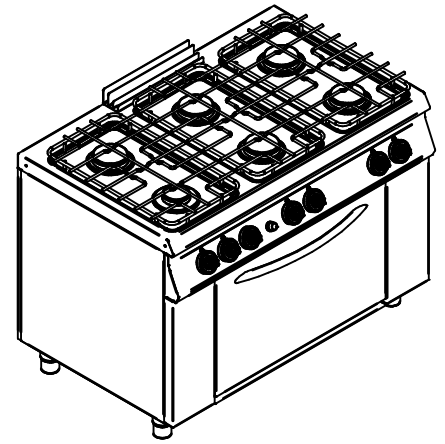


# TAVOLA / DRAWING 1802

CUCINA GAS 6 FUOCHI FORNO GAS 1/1  
GAS RANGES 6 BURNERS WITH 1/1 GAS OVEN  
U7CBG16FG - STILE UNICO

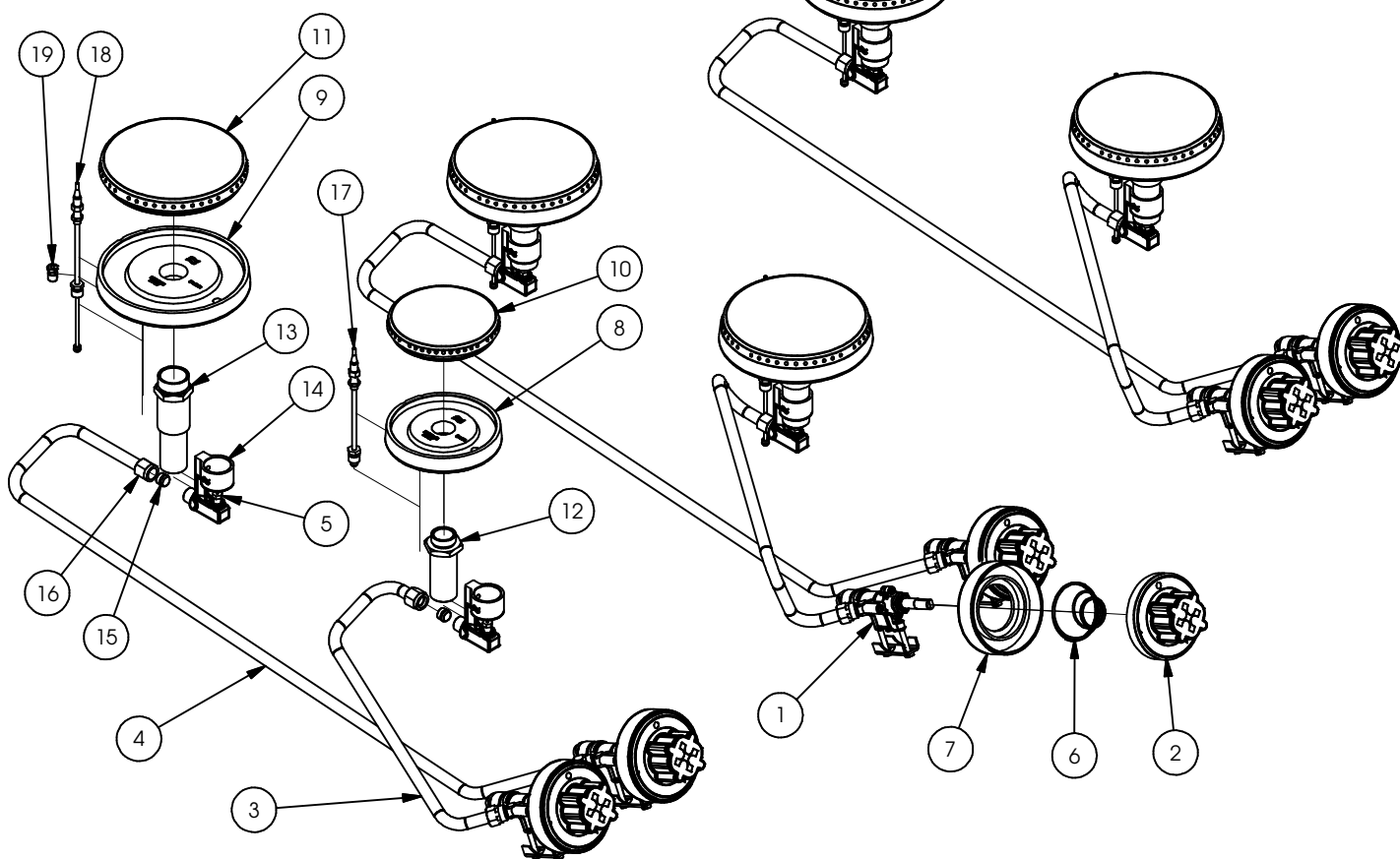
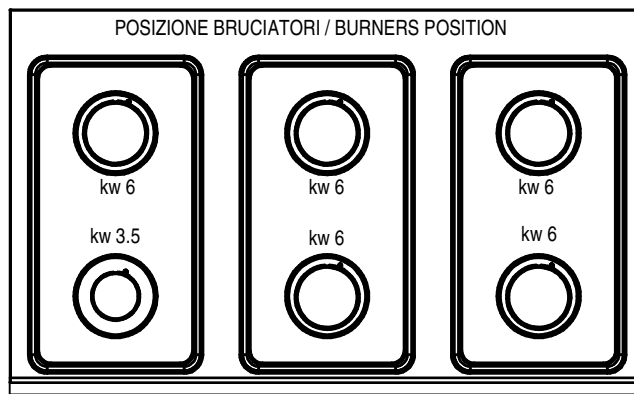
ALLEGATI / ATTACHMENT 1850



1	4106006	CRUSCOTTO COM.ASS.CUC.GAS 6F UNICO	FRONT PANEL
2	4302205	SCARICO FUMO ASSEM. UNICO	CHIMNEY
3	4502220	FIANCHETTO LAT. DX/SX CUC. 6F UNICO	LEFT PANEL
4	4832306	CRUSCOTTINO SOTTOP. FORNO 1/1 UNICO	LOW PANEL
5	825555	GRIGLIA FUOCO DOPPIA S.70 ECO	CHROMIUM GRID
6	844380	PIEDE 2"INOX 145-200 EP1XBMBONNSV	2" STAINLESS STEEL FOOT

# TAVOLA / DRAWING 1850

GRUPPO GAS 6 FUOCHI  
 STILE UNICO  
 GAS GROUP 6 BURNERS  
 MOD. "UNICO"



1	401271	RUBINETTO VALVOLATO 6114/1 CON RACC	GAS TAP 6114/1 WITH FITTINGS
2	401407	MANOPOLA COMPLETA RUB.GAS 6UNICO	KNOB FOR GAS TAP
3	816941	TUBO PIEGH.316L DN 8X400 9359-0400	FLEX PIPE 400 mm
4	816947	TUBO PIEGH.316L DN 8X600 9359-0600	FLEX PIPE 600 mm
5	829135	UGELLO BRUCIATORE GENERICO SNACK	BURNER INJECTOR
6	829671	MOLLA CONICA INOX A COMPR.D.1,20	CONICAL SPRING FOR KNOB
7	835573	GHIERA PLAST.CHIUSURA MANOP.GAS.17H	PLASTIC COVER FOR KNOB
8	837711	CORPO BRUC.3,5KW SNACK 04.BR2	BURNER BODY 3,5KW
9	837721	CORPO BRUC.6,0KW SNACK 04.BUR2	BURNER BODY 6,0KW
10	837751	SPARTIFIA.3,5 KW SNACK 04.SR	BURNER CAP 3,5KW
11	837761	SPARTIFIA.6,0 KW SNACK 04.SUR	BURNER CAP 6,0KW
12	837771	VENTURI 3,5 KW SNACK 04.VR	SUPPORT BURNER 6,0 KW
13	837781	VENTURI 6,0 KW SNACK 04.VUR	SUPPORT BURNER 3,5 KW
14	837811	PORTAUGG.TUBO 8 SNACK 04.CUN8	PIPE FOR AIR REGULATION
15	837831	BICONO X TUBO 8 SNACK 04.BIC8	BICONE FOR PIPE D.8
16	837841	NIPLO X TUBO 8 SNACK 04.NIP8	NUT FOR PIPE D.8
17	837861	TERMOCOP.L.400 SNACK 04.TC400	THERMOCOUPLE CM40
18	837871	TERMOCOP.L.600 SNACK 04.TC600	THERMOCOUPLE CM60
19	837881	NIPLO X TERMOCOP.SNACK 65.PSDADOTC	FITTING FOR THERMOCOUPLE