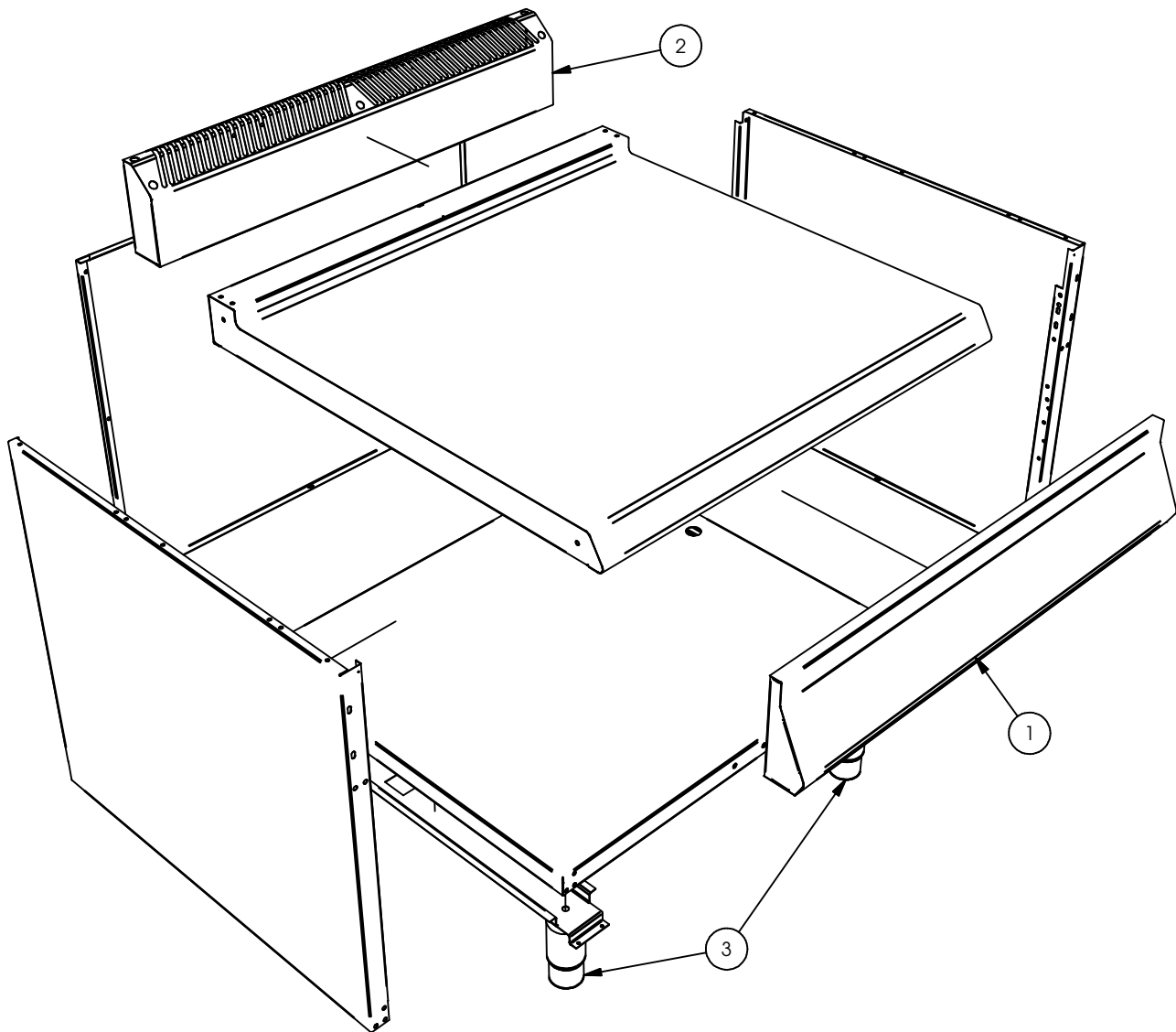
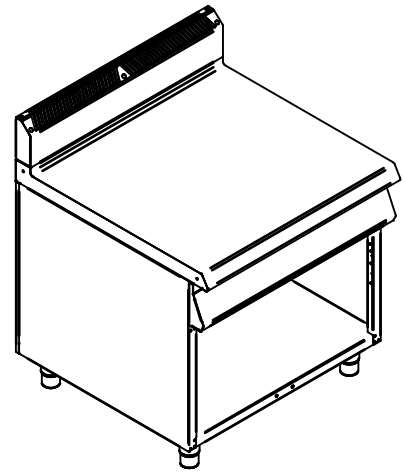


TAVOLA / DRAWING 2463

COD. 329320

MOD. 9EN/80

ELEMENTO NEUTRO S.990S
WORK TOP UNIT S.990S



1	4105071	CRUSCOTTO COM.EL.NEUTRO 900 S.990S	FRONT PANEL
2	4302273	SCARICO FUMO ASS. ASOLE 900 STILE	EXHAUST GRATE
3	844380	PIEDE 2"INOX 145-200 EP1XBMBONNSV	2" STAINLESS STEEL FOOT