

# TAVOLA / DRAWING 2164

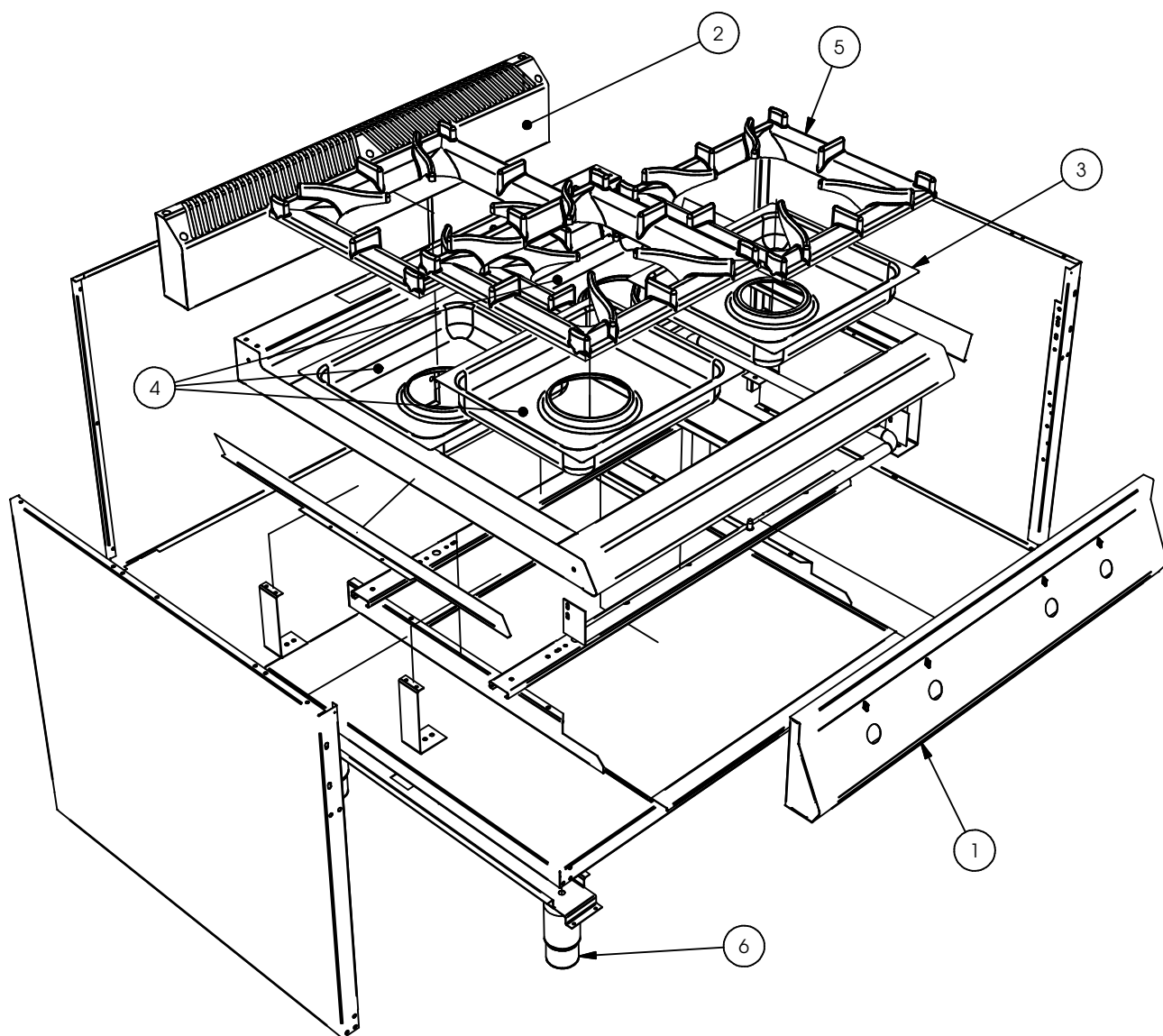
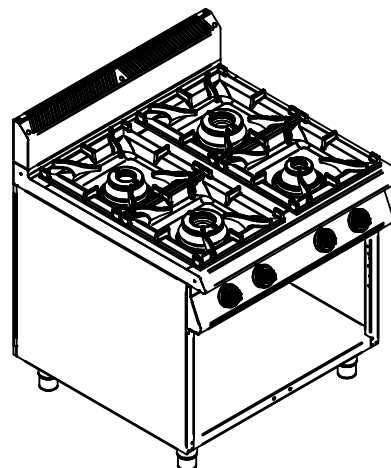
**COD. 301310**

**MOD. 9CBG04**

**ALLEGATI / ATTACHMENT: 1114, 1119**

**CUCINA GAS 4 FUOCHI S.900S**

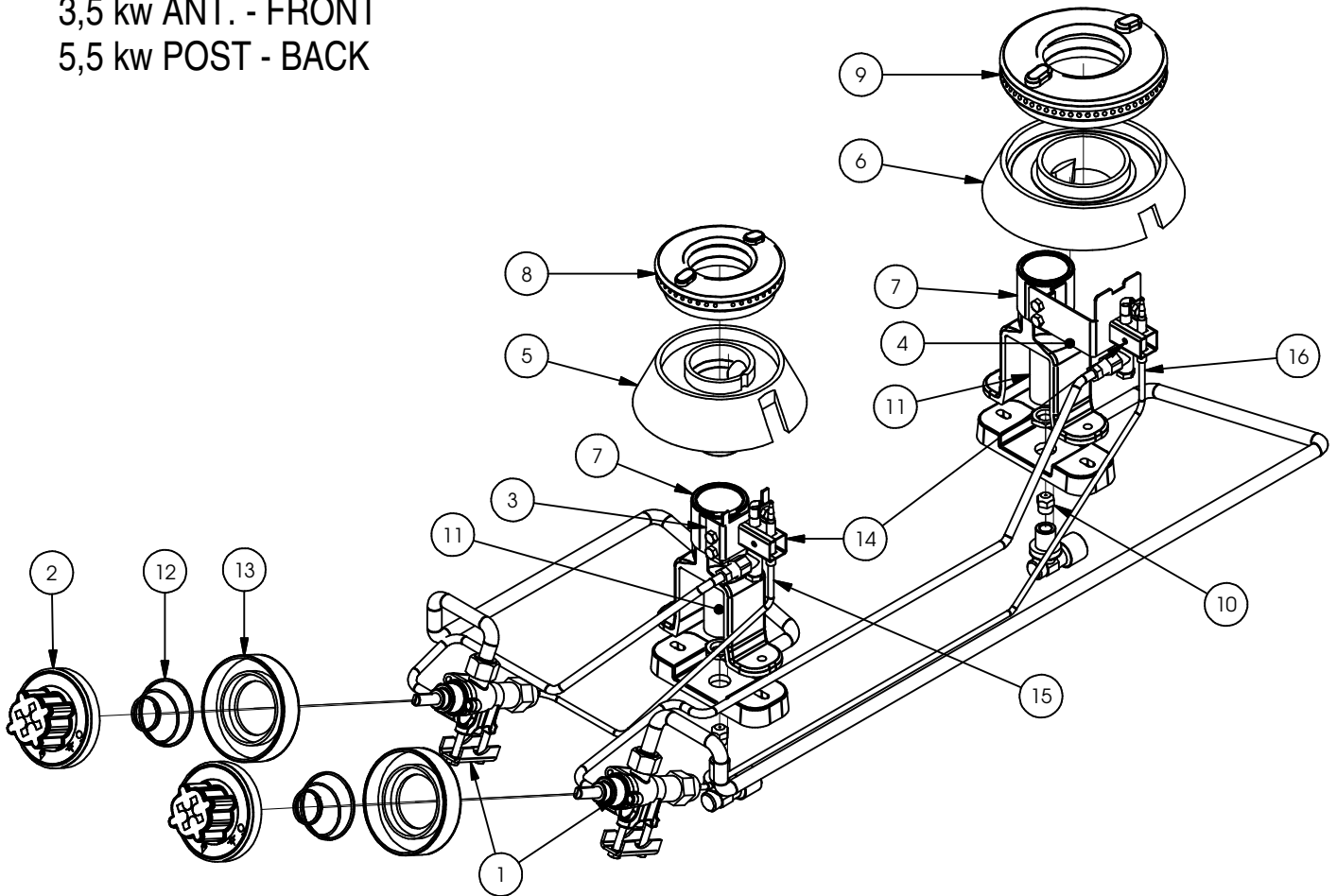
**4 BURNERS GAS RANGE S.900S**



1	4106072	CRUSCOTTO COM.ASS.CUC.GAS 4F S.700S	FRONT PANEL
2	4302273	SCARICO FUMO ASS. ASOLE 900 STILE	800 S.7/9S CHIMNEY
3	440081	BACINELLA SOTTOC.1 F.DIAM.110 S.90	UNDER BURNER BASIN D110 - S.90
4	440083	BACINELLA SOTTOC.1 F.DIAM.130 S.90	UNDER BURNER BASIN D130 - S.90
5	440105	GRIGLIA VET.1F. S.90 446X378 GV-900	VETRIFIED CAST IRON
6	844380	PIEDE 2"INOX 145-200 EP1XBMBONNSV	2" STAINLESS STEEL FOOT

**TAVOLA / DRAWING 1119**  
**GRUPPO GAS S.980S**  
**GAS GROUP S.980S**  
**COD. 4000307**

POTENZA - POWER:  
 3,5 kw ANT. - FRONT  
 5,5 kw POST - BACK



1	401121	RUBIN.GAS COLL.COMP.RACC.21S S7/9S	GAS TAP 21/S WITH FITTINGS
2	401405	MANOPOLA COMPLETA RUB.GAS 21S S.7/9	KNOB FOR GAS TAP 21S
3	4550501	STAFFETTA PILOTA BRUC. D.C. PICCOLO	BRACKET SUPPORT PILOT BURNER C90
4	4550505	STAFFETTA PILOTA BRUC. D.C. MEDIO	BRACKET SUPPORT PILOT BURNER C115
5	827345	CORPO BRUC.RE VETRI.DOP.C.90 KW3,5	BURNER BODY IN CAST-IRON C90
6	827351	CORPO BRUC.RE VETRI.DOP.C.115 KW5,5	BURNER BODY IN CAST-IRON C115
7	827665	SUPPORTO ALLUMINIO 3 INSERTI H.122	ALUMINIUM SUPPORT BURNER H. 122
8	828125	SPARTIFIAMMA OT.DOPPIA C.90 KW 3,5	BURNER CAP IN BRASS DOUBLE CROWN C90
9	828131	SPARTIFIAMMA OT.DOPPIA C.115 KW 5,5	BURNER CAP IN BRASS DOUBLE CROWN C115
10	829200	UGELLO OTT.CH11X13 M10X1" GENERICO"	SHORT BURNER INJECTOR
11	829593	BUSSOLA INOX REGOLAZ.ARIA DA 22X80	PIPE FOR AIR REGULATION 22X80
12	829671	MOLLA CONICA INOX A COMPR.D.1,20	CONICAL SPRING FOR KNOB
13	835571	GHIERA PLAST.CHIUSURA MANOP.GAS.17H	PLASTIC COVER FOR KNOB
14	837201	PILOTA 1 VIA MULTIGAS 0100013	PILOT BURNER 1 WAY
15	837233	TERMOCOPPIA QUICK DA 320 0290012	THERMOCOUPLE CM 32
16	837243	TERMOCOPPIA QUICK DA 600 0290016	THERMOCOUPLE CM 60

# TAVOLA / DRAWING 1114

GRUPPO GAS S.980S

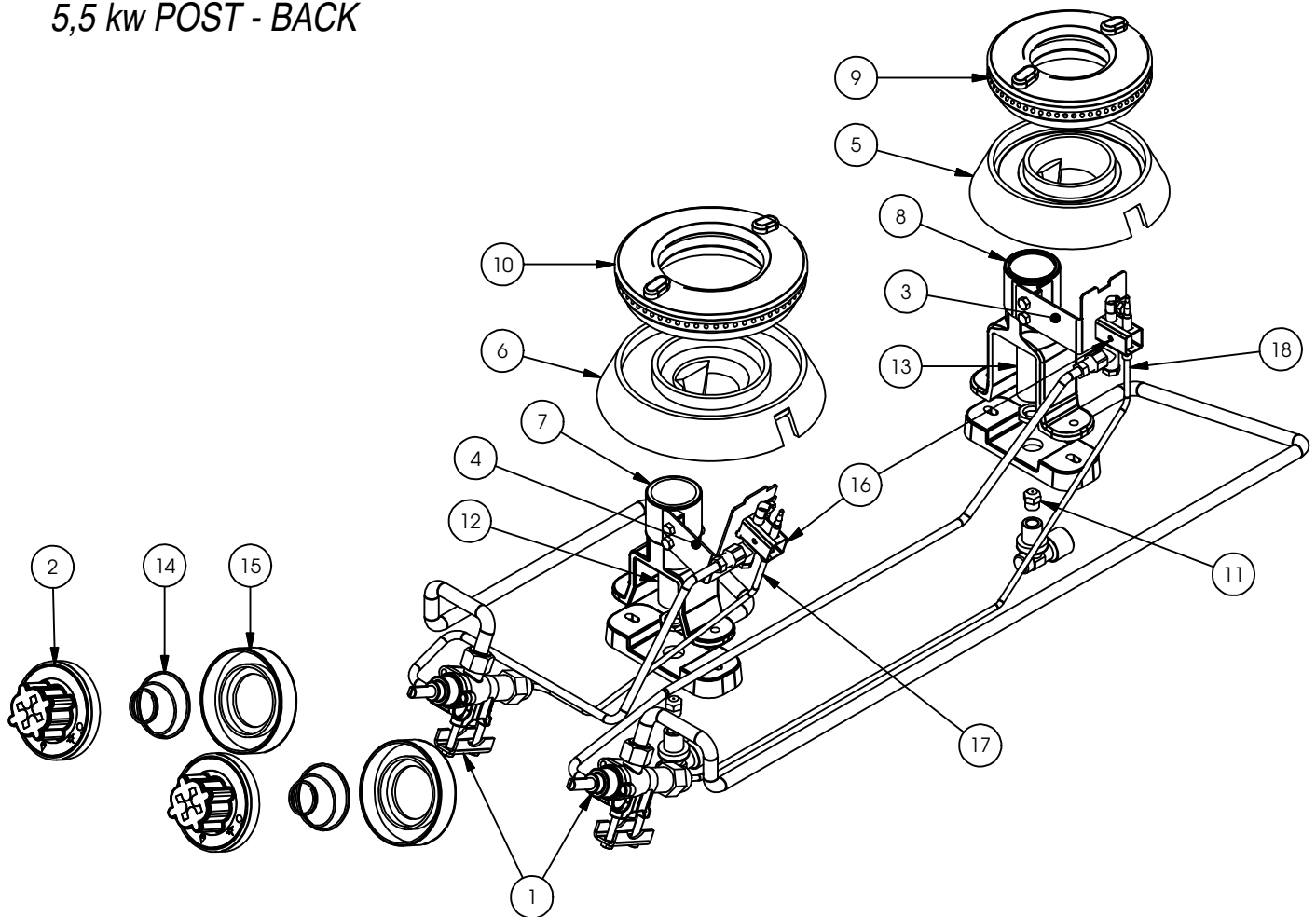
GAS GROUP S.980S

COD. 4000305

POTENZA - POWER:

8,5 kw ANT. - FRONT

5,5 kw POST - BACK



1	401121	RUBIN.GAS COLL.COMP.RACC.21S S7/9S	GAS TAP 21/S WITH FITTINGS
2	401405	MANOPOLA COMPLETA RUB.GAS 21S S.7/9	KNOB FOR GAS TAP 21S
3	4550505	STAFFETTA PILOTA BRUC. D.C. MEDIO	BRACKET SUPPORT PILOT BURNER C115
4	4550511	STAFFETTA PILOTA BRUC. D.C. GRANDE	BRACKET SUPPORT PILOT BURNER C135
5	827351	CORPO BRUC.RE VETRI.DOP.C.115 KW5,5	BURNER BODY IN CAST-IRON C115
6	827357/1	CORPO BRUC.RE VETRI.DOP.C.135 KW8,5	BURNER BODY IN CAST-IRON C135
7	827661	SUPPORTO ALLUMINIO 3 INSERTI H.102	ALUMINIUM SUPPORT BURNER H. 102
8	827665	SUPPORTO ALLUMINIO 3 INSERTI H.122	ALUMINIUM SUPPORT BURNER H. 122
9	828131	SPARTIFIAMMA OT.DOPPIA C.115 KW 5,5	BURNER CAP IN BRASS DOUBLE CROWN C115
10	828137/1	SPARTIFIAMMA OT.DOPPIA C.135 KW 8,5	BURNER CAP IN BRASS DOUBLE CROWN C135
11	829200	UGELLO OTT.CH11X13 M10X1" GENERICO"	SHORT BURNER INJECTOR
12	829589	BUSSOLA INOX REGOLAZ.ARIA DA 22X56	PIPE FOR AIR REGULATION 22X56
13	829593	BUSSOLA INOX REGOLAZ.ARIA DA 22X80	PIPE FOR AIR REGULATION 22X80
14	829671	MOLLA CONICA INOX A COMPR.D.1,20	CONICAL SPRING FOR KNOB
15	835571	GHIERA PLAST.ROSSA X MANOP.GAS.17H	PLASTIC COVER FOR KNOB
16	837201	PILOTA 1 VIA MULTIGAS 0100013	PILOT BURNER 1 WAY
17	837233	TERMOCOPPIA QUICK DA 320 0290012	THERMOCOUPLE CM 32
18	837243	TERMOCOPPIA QUICK DA 600 0290016	THERMOCOUPLE CM 60