

# TAVOLA / DRAWING 2180

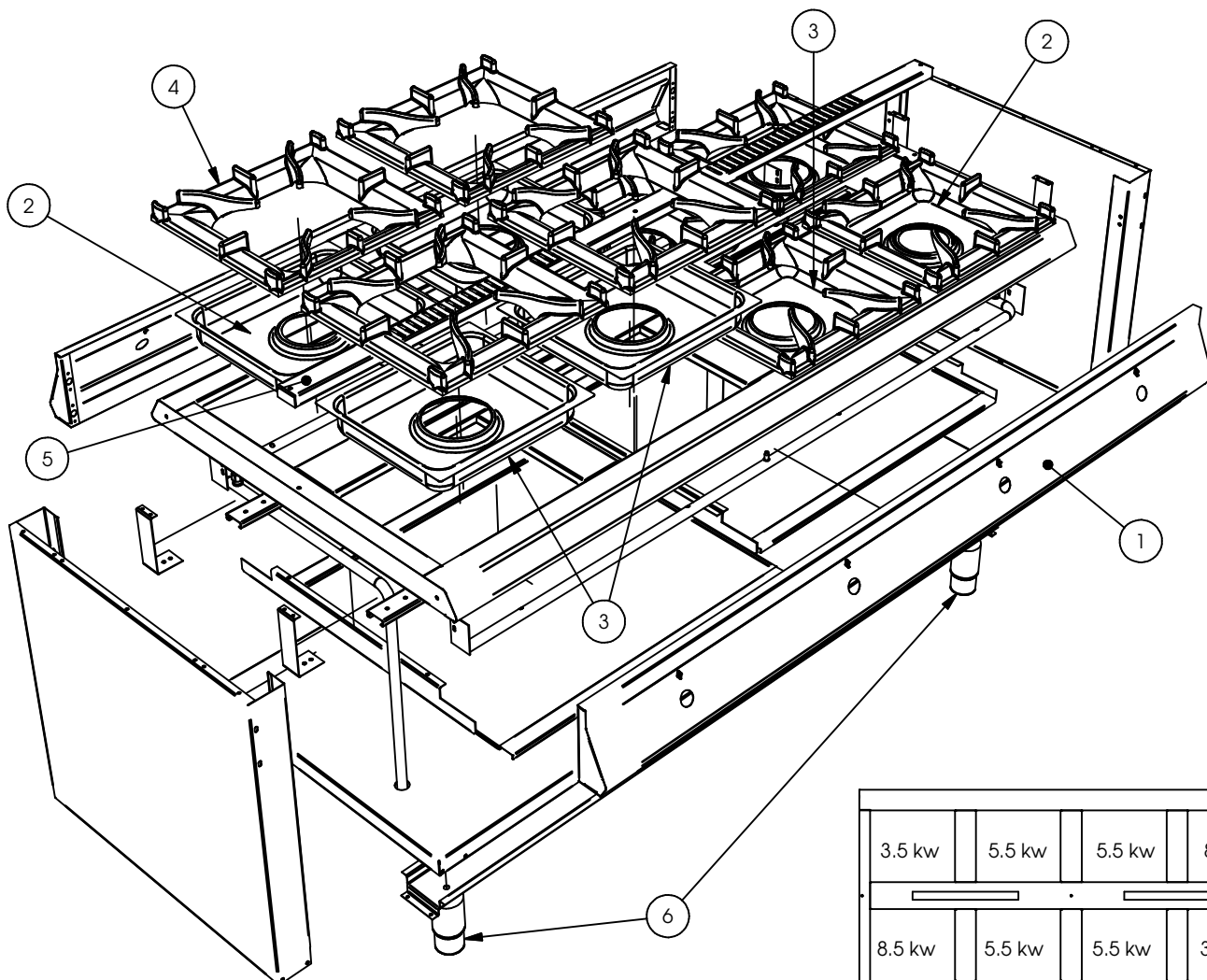
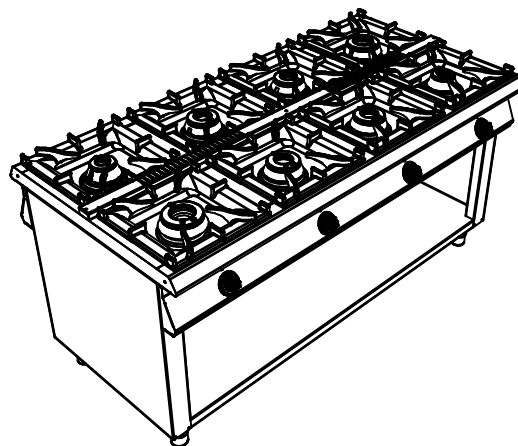
COD. 301181

MOD. 9CBG08P

ALLEGATI/ATTACHMENT: 1124, 1125, 1126

CUCINA GAS 8 FUOCHI  
PASSANTE S.990S

PASS THROUGH GAS COOKER  
8 BURNERS S.990S



3.5 kw	5.5 kw	5.5 kw	8.5 kw
8.5 kw	5.5 kw	5.5 kw	3.5 kw

DISPOSIZIONE BRUCIATORI

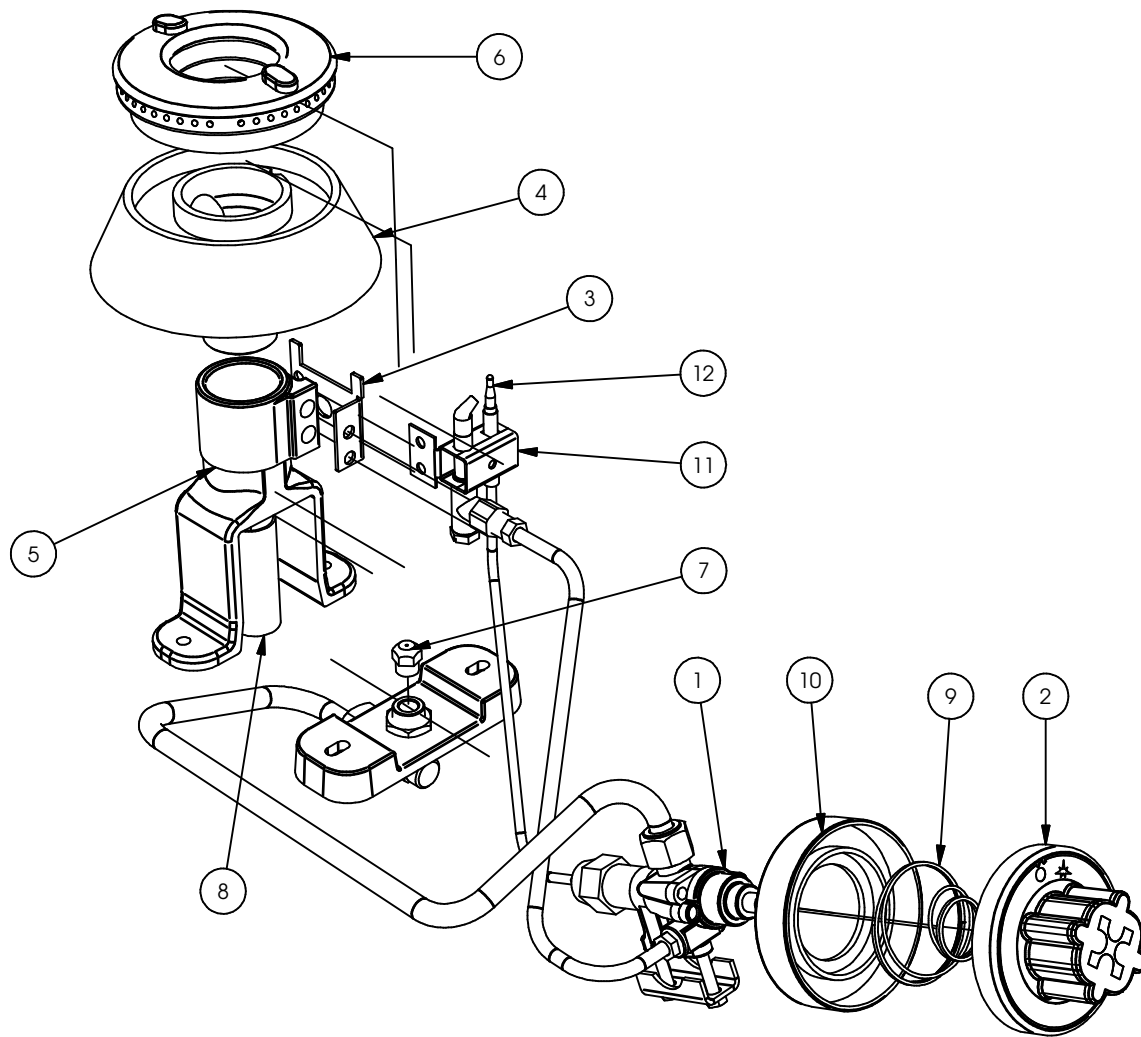
1	4106082	CRUSCOTTO COM.ASS.CUC.GAS 4F S.990S	FRONT PANEL
2	440081	BACINELLA SOTTOC.1 F.DIAM.110 S.90	UNDER BURNER BASIN D110 - S.90
3	440083	BACINELLA SOTTOC.1 F.DIAM.130 S.90	UNDER BURNER BASIN D130 - S.90
4	440105	GRIGLIA VET.1F. S.90 446X378 GV-900	VETRIFIED CAST IRON
5	5305607	SCARICO FUMO 8F PASSANTE S.990S	PASS THROUGH CHIMNEY S.990S
6	844380	PIEDE 2"INOX 145-200 EP1XBMBONNSV	2" STAINLESS STEEL FOOT

# TAVOLA / DRAWING 1126

CUCINA PASSANTE S.990S - GRUPPO GAS 3,5 kw

PASS THROUGH COOKING S.990S - GAS GROUP 3,5 kw

COD. 4000316



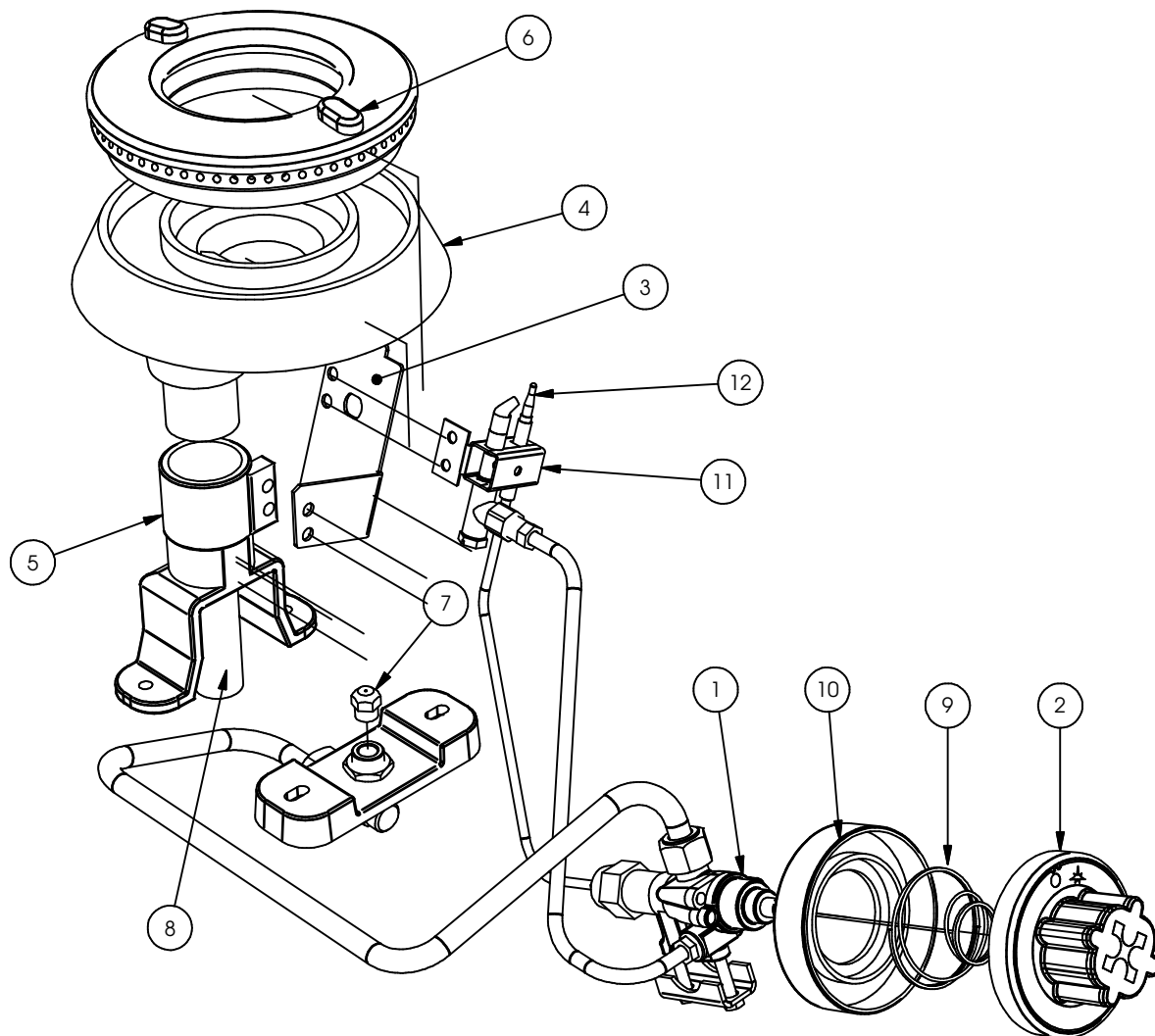
1	401121	RUBIN.GAS COLL.COMP.RACC.21S S7/9S	GAS TAP 21/S WITH FITTINGS
2	401405	MANOPOLA COMPLETA RUB.GAS 21S S.7/9	KNOB FOR GAS TAP 21S
3	4550501	STAFFETTA PILOTA BRUC. D.C. PICCOLO	BRACKET SUPPORT PILOT BURNER C90
4	827345	CORPO BRUC.RE VETRI.DOP.C.90 KW3,5	BURNER BODY IN CAST-IRON C90
5	827665	SUPPORTO ALLUMINIO 3 INSERTI H.122	ALUMINIUM SUPPORT BURNER H. 122
6	828125	SPARTIFIAMMA OT.DOPPIA C.90 KW 3,5	BURNER CAP IN BRASS DOUBLE CROWN C90
7	829200	UGELLO OTT.CH11X13 M10X1" GENERICO"	SHORT BURNER INJECTOR
8	829589	BUSSOLA INOX REGOLAZ.ARIA DA 22X56	PIPE FOR AIR REGULATION 22X56
9	829671	MOLLA CONICA INOX A COMPR.D.1,20	CONICAL SPRING FOR KNOB
10	835571	GHIERA PLAST.CHIUSURA MANOP.GAS.17H	PLASTIC COVER FOR KNOB
11	837201	PILOTA 1 VIA MULTIGAS 0100013	PILOT BURNER 1 WAY
12	837233	TERMOCOP.INOX QUICK DA 320 0290012	THERMOCOUPLE CM32

# TAVOLA / DRAWING 1125

CUCINA PASSANTE S.990S - GRUPPO GAS 8,5 kw

PASS THROUGH COOKING S.990S - GAS GROUP 8,5 kw

COD. 4000314



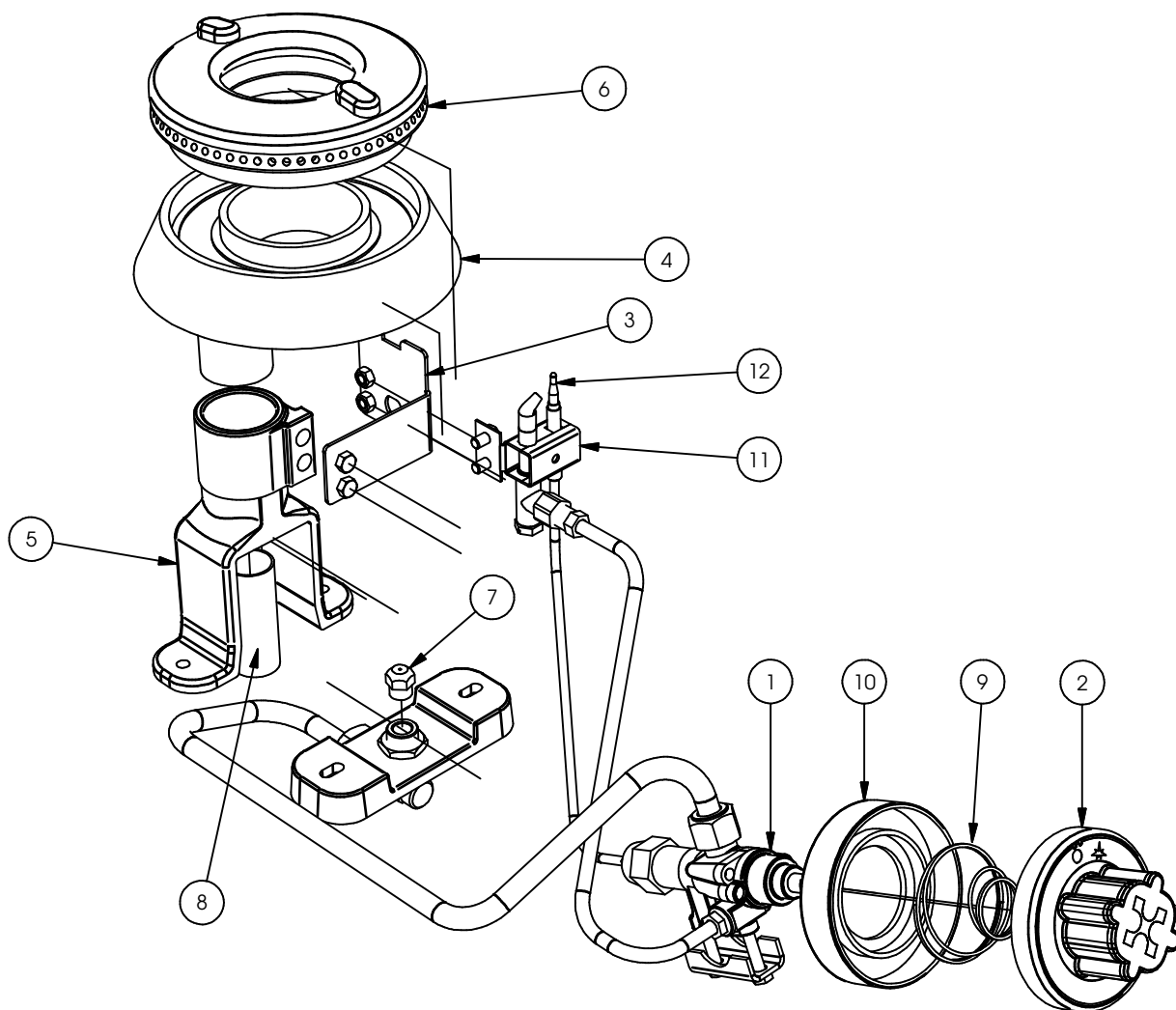
1	401121	RUBIN.GAS COLL.COMP.RACC.21S S7/9S	GAS TAP 21/S WITH FITTINGS
2	401405	MANOPOLA COMPLETA RUB.GAS 21S S.7/9	KNOB FOR GAS TAP 21S
3	4550511	STAFFETTA PILOTA BRUC. D.C. GRANDE	BRACKET SUPPORT PILOT BURNER C135
4	827357/1	CORPO BRUC.RE VETRI.DOP.C.135 KW8,5	BURNER BODY CAST-IRON VITRIFIED DOUBLE CROWN C135
5	827661	SUPPORTO ALLUMINIO 3 INSERTI H.102	ALUMINIUM SUPPORT BURNER H. 102
6	828137/1	SPARTIFIAMMA OT.DOPPIA C.135 KW 8,5	BURNER CAP IN BRASS DOUBLE CROWN C135
7	829200	UGELLO OTT.CH11X13 M10X1" GENERICO"	SHORT BURNER INJECTOR
8	829589	BUSSOLA INOX REGOLAZ.ARIA DA 22X56	PIPE FOR AIR REGULATION 22X56
9	829671	MOLLA CONICA INOX A COMPR.D.1.20	CONICAL SPRING FOR KNOB
10	835571	GHIERA PLAST.CHIUSURA MANOP.GAS.17H	PLASTIC COVER FOR KNOB
11	837201	PILOTA 1 VIA MULTIGAS 0100013	PILOT BURNER 1 WAY
12	837233	TERMOCOP.INOX QUICK DA 320 0290012	THERMOCOUPLE CM32

# TAVOLA / DRAWING 1124

CUCINA PASSANTE S.990S - GRUPPO GAS 5,5 kw

PASS THROUGH COOKING S.990S - GAS GROUP 5,5 kw

COD. 4000312



1	401121	RUBIN.GAS COLL.COMP.RACC.21S S7/9S	GAS TAP 21/S WITH FITTINGS
2	401405	MANOPOLA COMPLETA RUB.GAS 21S S.7/9	KNOB FOR GAS TAP 21S
3	4550505	STAFFETTA PILOTA BRUC. D.C. MEDIO	BRACKET SUPPORT PILOT BURNER C115
4	827351	CORPO BRUC.RE VETRI.DOP.C.115 KW5,5	BURNER BODY IN CAST-IRON C115
5	827665	SUPPORTO ALLUMINIO 3 INSERTI H.122	ALUMINIUM SUPPORT BURNER H. 122
6	828131	SPARTIFIAMMA OT.DOPPIA C.115 KW 5,5	BURNER CAP IN BRASS DOUBLE CROWN C115
7	829200	UGELLO OTT.CH11X13 M10X1" GENERICO"	SHORT BURNER INJECTOR
8	829589	BUSSOLA INOX REGOLAZ.ARIA DA 22X56	PIPE FOR AIR REGULATION 22X56
9	829671	MOLLA CONICA INOX A COMPR.D.1,20	CONICAL SPRING FOR KNOB
10	835571	GHIERA PLAST.CHIUSURA MANOP.GAS.17H	PLASTIC COVER FOR KNOB
11	837201	PILOTA 1 VIA MULTIGAS 0100013	PILOT BURNER 1 WAY
12	837233	TERMOCOP.INOX QUICK DA 320 0290012	THERMOCOUPLE CM32