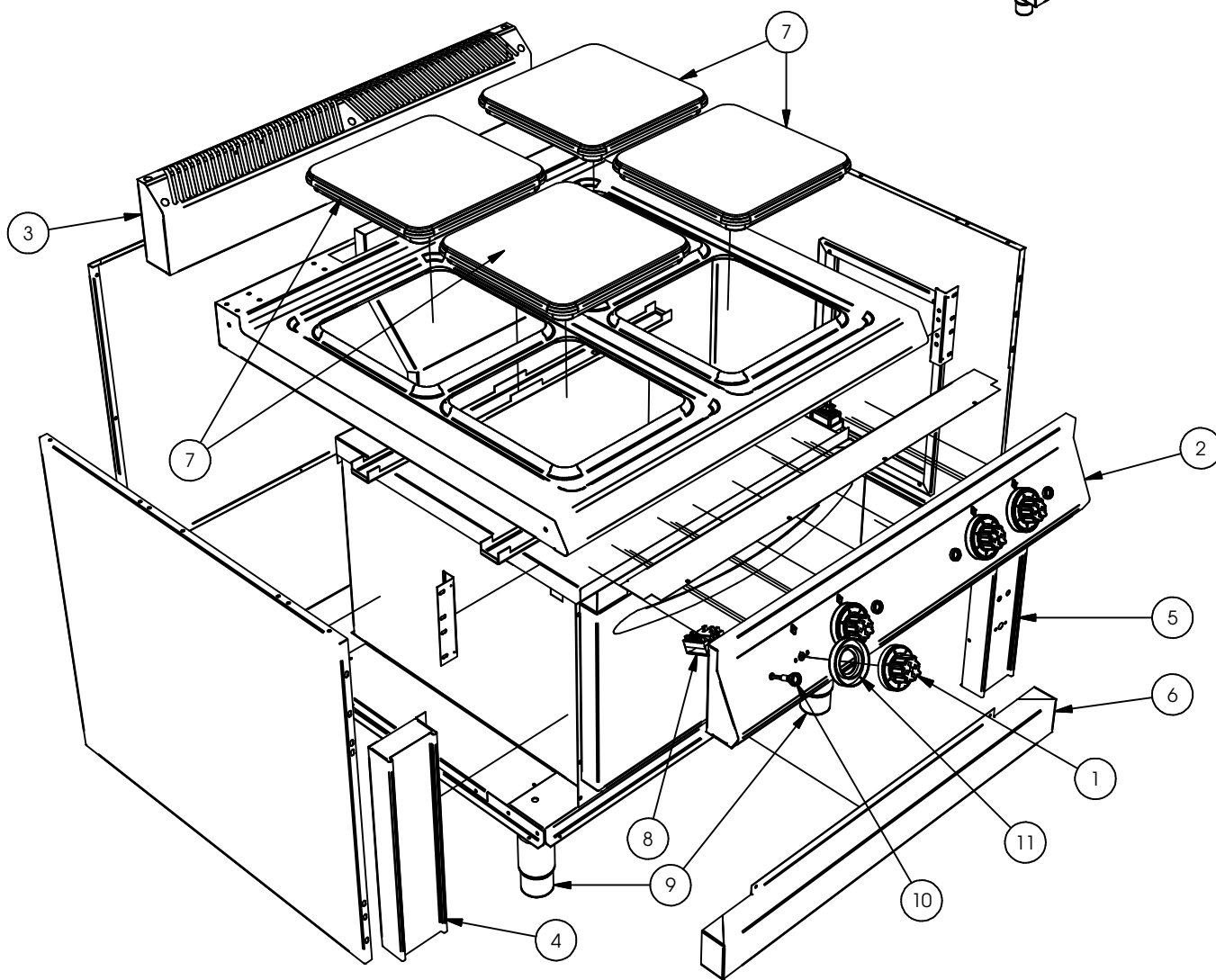
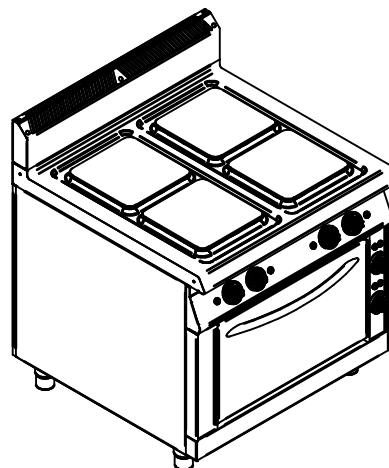


# TAVOLA / DRAWING 2191

**COD. 314336**

**MOD. 9CQE14**

CUCINA EL. PIASTRE QUADRE  
E FORNO ELETTRICO S.900S  
EL. RANGES WITH SQUARE PLATES  
AND EL. OVEN S.900S

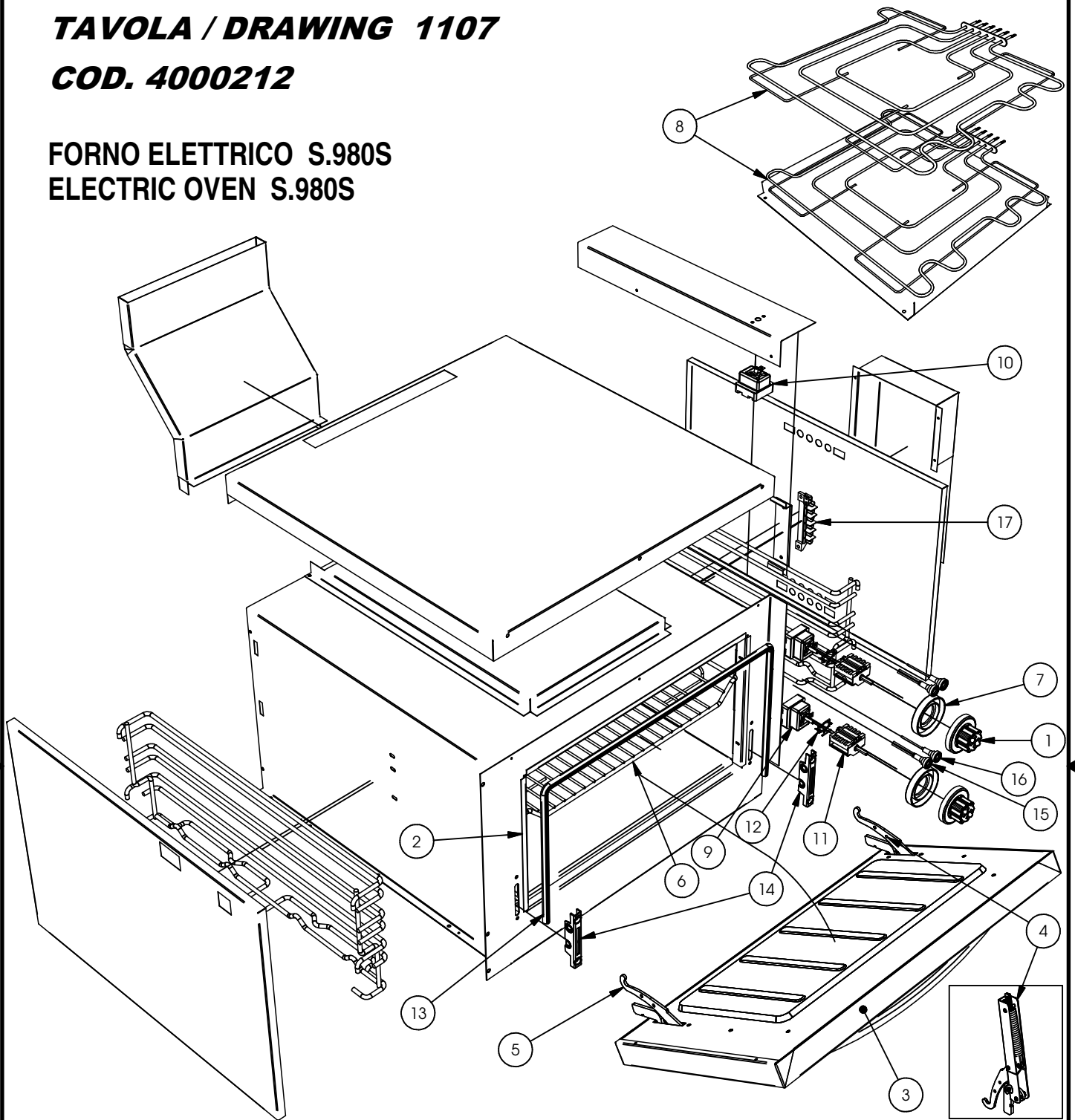


1	401441	MANOPOLA COMPLETA COMM.CUCINA ELET.	ELECTRIC KNOB
2	4105986	CRUSCOTTO COM.ASS.CUC.EL. 4P S.7/9S	FRONT PANEL
3	4302273	SCARICO FUMO ASS. SOLE 900 STILE	EXHAUST GRATE
4	4502206	FIANCHETTO SX 100 ASSEM. S.900S	LEFT PANEL
5	4502210	FIANCHETTO DX ELET.95 ASSIEM.S.7/9S	ELECTRIC SIDE PANEL
6	4832311	CRUSCOTTINO SOTTOF.FORNO 900 STILE	LOW PANEL
7	843373	PIASTRA ELET.Q. 300X300 4000W 230V	SQUARE PLATE 30X30 230V 4000 W
8	843749	COMMUTATORE 0-6 POS.32 AMP. 3057023	COMMUTATOR 0-6 POSITION
9	844380	PIEDE 2"INOX 145-200 EP1XBMBONNSV	2" STAINLESS STEEL FOOT
10	849411	SPIA VERDE V.220	GREEN WARNING LIGHT 220V
11	835575	GHIERA PLAST.CHIUSURA MANOP.ELE. 13H	PLASTIC COVER FOR KNOB

# TAVOLA / DRAWING 1107

**COD. 4000212**

**FORNO ELETTRICO S.980S  
ELECTRIC OVEN S.980S**



1	401421	MANOPOLA COMP.TERM.FRY-TOP+FORNO EL	KNOB FOR THERMOSTAT
2	4614005	CORNICE FIS.GUARN.PORTA FORNO S.7/9	OVEN DOOR FRAME
3	4900605	PORTA ASSIEMATA FORNO GN2/1 STILE	FRONT DOOR
4	844581	CERNIERA X PORTA FORNO DX 45010951	HINGE FOR OVEN DOOR- RIGHT
5	844583	CERNIERA X PORTA FORNO SX 45010952	HINGE FOR OVEN DOOR- LEFT
6	831607	GRIGLIA FORNO CRO."N" 530X650 S.900	STAINLESS STEEL GRID
7	835575	GHIERA PLAST.CHIUSURA MANOP.ELE.13H	PLASTIC COVER FOR KNOB
8	843645	RES.ZA X FORNO 2750W 230V S.900	HEATING ELEMENT S.90 230V 2750W
9	843735	TERMOST.VAR.50-300° FRY 5534062819	WORK THERMOSTAT 50 - 300°
10	843737	TERMOSTATO DI SICUREZZA 5532562808	SAFETY THERMOSTAT
11	843746	COMMUTATORE/INTERRUTTORE 4941015300	MAIN SWITCH/COMMUTATOR
12	843753	STAFFETTA COLLEGAMENTO 0000617078	CONNECTING BRACKET COMM./THERMOSTAT
13	844441	GUARN.PORTA FORNO 2/1 MT.SV52 STILE	SEAL FOR OVEN DOOR
14	844589	PORTARULLINO CERN.FORNO 45508410	OVEN DOOR'S HINGE BLOCK
15	849411	SPIA VERDE V.220	GREEN WARNING LIGHT 220V
16	849417	SPIA ROSSA V.220	RED WARNING LIGHT 220V
17	849517	MORSETTIERA 6 POLI FV122/6/40A	TERMINAL BOARD